

# Steelforce Pro 671 SLS 90°

## Dual step, sit-stand, height electrically adjustable

Height (mm)	min. 615 / max. 1275
Stroke (mm)	660
Speed (mm/s)	39
Width main unit (mm)	min. 1100 / max. 1700
Width ancillary unit Standard (mm)	min. 1050 / max. 1650
Width ancillary unit XL (mm)	min. 1450 / max. 1650
Length of feet	2x 750 mm / 1x 600 mm
Column size (mm)	60 x 90
Dynamic capacity (kg)	150
Noise dB(A)	<55
Power	V 220 - 240
Plug type	Replaceable
Weight (kg)	50,5

Legs, feet, top supports and crossbars made of powder-coated steel.  
Soft start & stop function.  
Spindle lifting system and low energy consumption.

## Surface colour Standard version

Pure Silver	<input type="radio"/>
Traffic White	<input type="radio"/>
Jet Black	<input checked="" type="radio"/>

## Packing dimension single unit

Box 1. 945 x 275 x 168 (LxWxH - mm)  
Box 2. 945 x 275 x 168 (LxWxH - mm)

## Packing dimension pallet (12 frames)

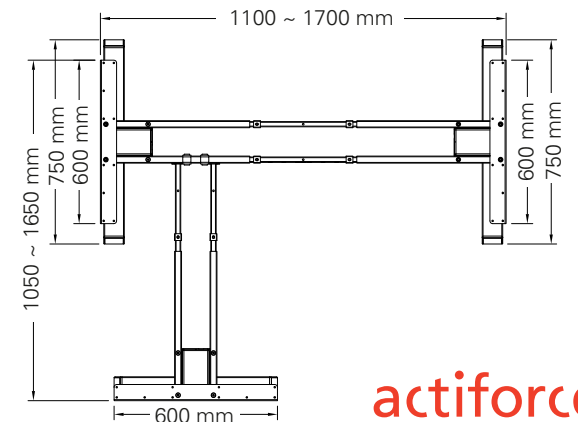
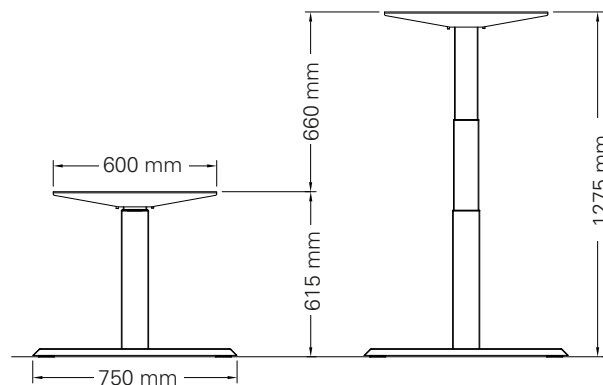
1140 x 1130 x 1210 (LxWxH - mm)

## Accessories

Please see the accessories section to personalise your height adjustable frame.



Tested according to IEC 60335-1 by Intertek.



actiforce