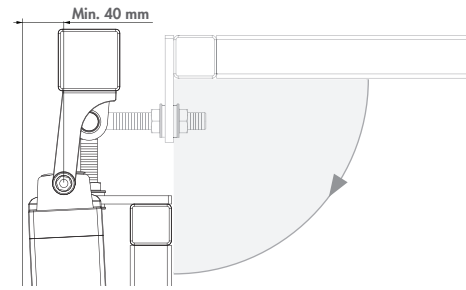
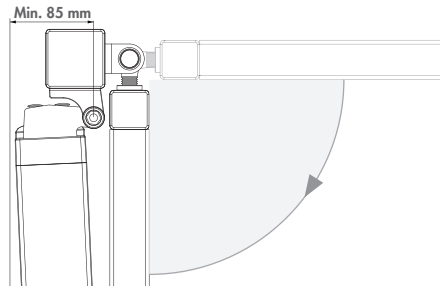
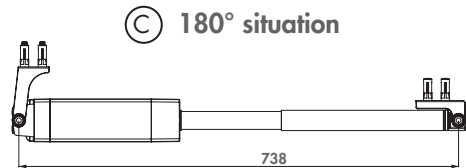
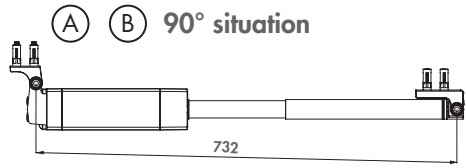


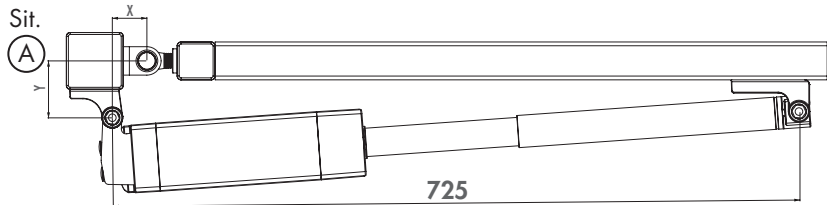
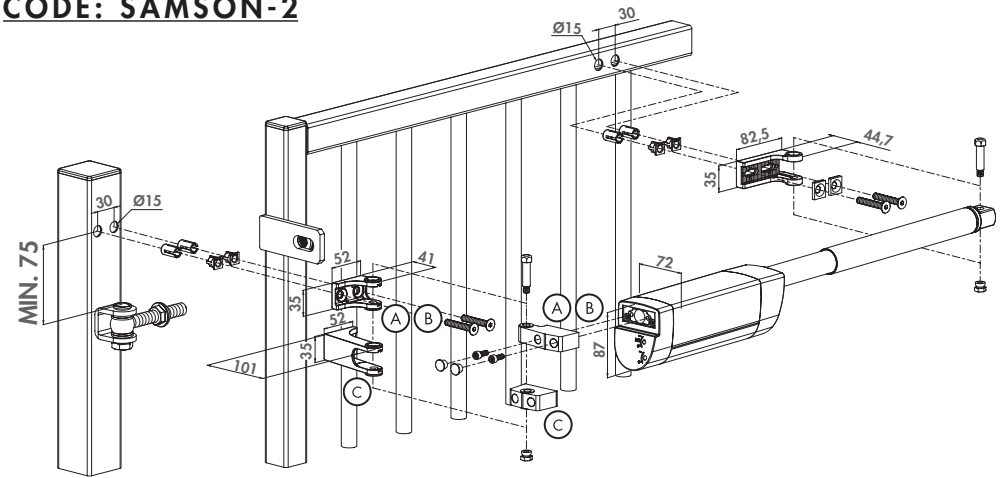
INSTALLATION SITUATIONS



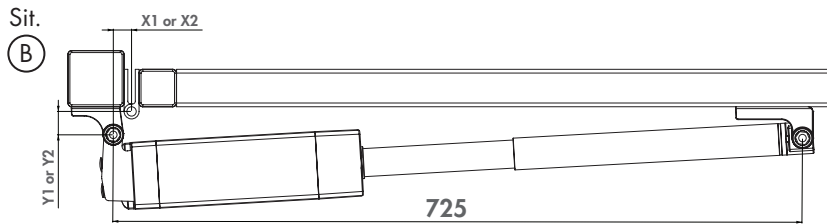
LOCINOX®

WWW.LOCINOX.COM

CODE: SAMSON-2

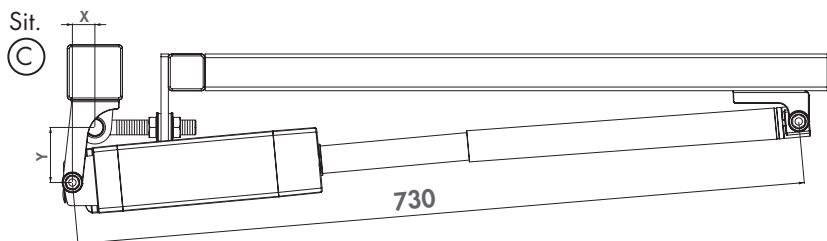


X = Min. 30 / Max. 52,5
Y = Min. 45 / Max. 90

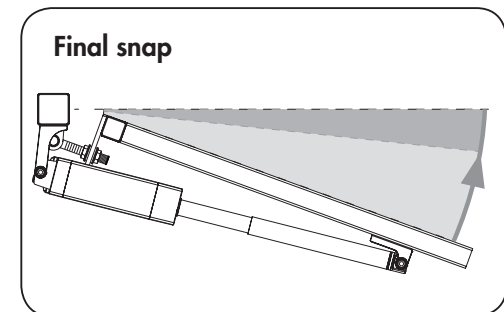
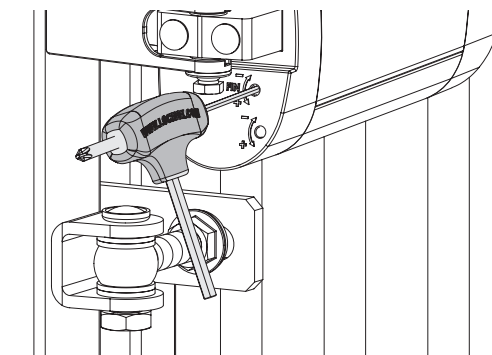
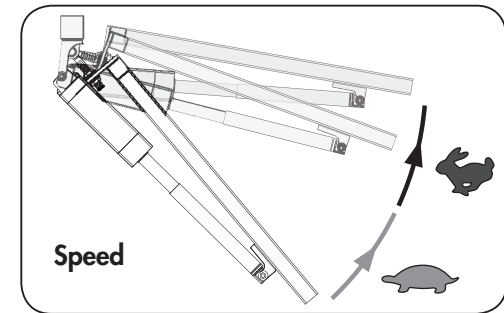
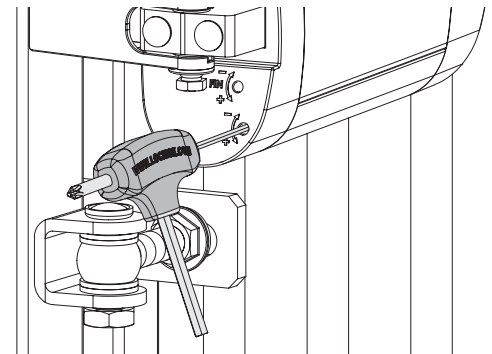


X1 = Min. 35 / Max. 100
Y1 = Min. 20 / Max. 50

X2 = Min. 55 / Max. 145
Y2 = Min. 0 / Max. 15



X = Min. 20 / Max. 77,5
Y = Min. 55 / Max. 70



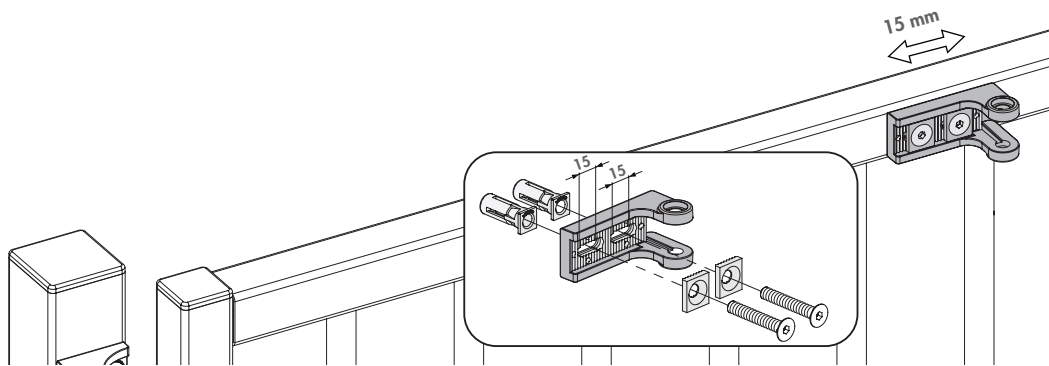
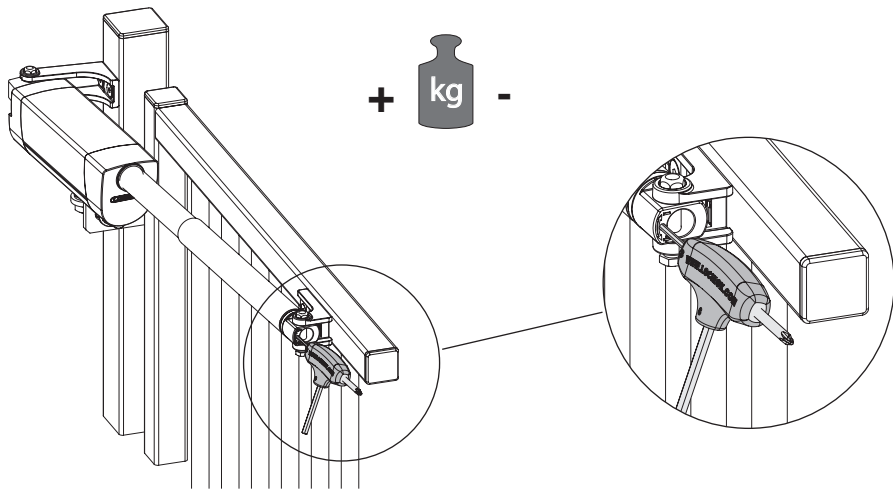
LOCINOX®
WWW.LOCINOX.COM

Doc. Nr.:
MANU-000212



* M A N U - 0 0 0 2 1 2 *

Locinox nv • Mannebeekstraat 21
B-8790 Waregem • Belgium - Europe
Tel. +32 (0)56 77 27 66 • Fax. +32 (0)56 77 69 26
E-mail: locinox@locinox.com



INSTALLATION INSTRUCTIONS

