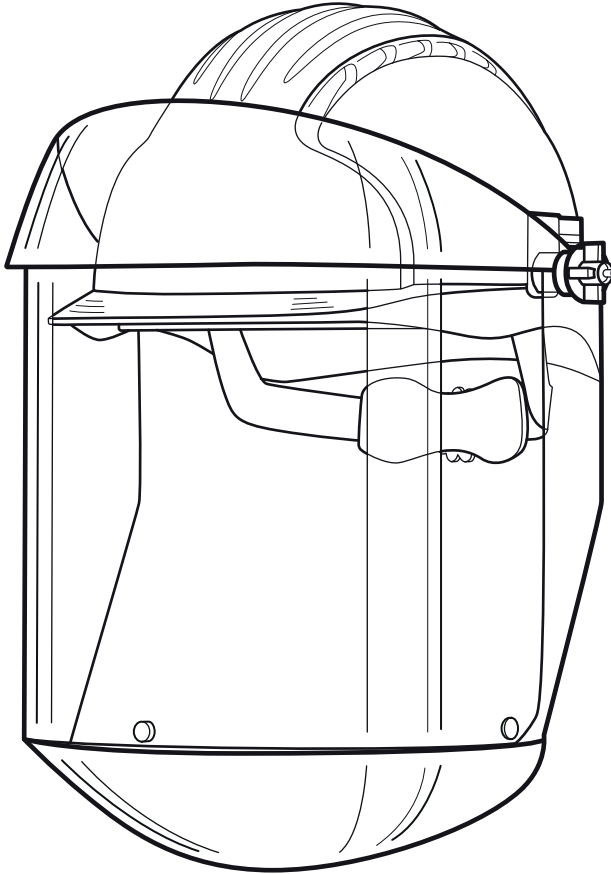




AFP-25 HELMET MOUNTED ARC FLASH FACESHIELD



EN 2	FR 10	DE 18	NL 26	DA 34
NO 42	SV 50	FI 58	ES 66	IT 74

AFP-25 HELMET MOUNTED ELECTRICAL ARC FACESHIELD

EN166:2001 // EN170:2002 // GS-ET 29:2019. CAT III Product.

A copy of this manual and the Declaration of Conformity for the product can be found at: documents.jspsafety.com

CONTENTS

Introduction	3
General Warnings	3
Standards	3
Field of Application	4
Fitting the Visor to the Helmet	4
Adjusting the Visor	4
Usage	5
Cleaning	6
Storing	6
Maintenance, Repair and Replacement	6
Inspection and usage life	6
Hazards Assessment	6
User manual for the Weight Balance System	7
Markings	9

IMPORTANT: This manual must be read in full. The user should be familiar with, and trained in the use of the product, before the product is used. This manual must be retained for future reference.

INTRODUCTION

An electric arc flash is a fault current generated by a short-circuit travelling through ionized air. An arc flash incident emits plasma, high levels of convective heat, and extremely high doses of electromagnetic radiation (ultraviolet radiation (UV), infrared radiation (IR) and high energy visible light). The explosion of expanding heat generates toxic air, extreme noise, and a rapidly progressing pressure wave – often accompanied by flying debris such as fragments and molten metal.

An arc flash incident can be caused by a system fault or a handling mistake in a high current electrical environment, regardless of whether the work being undertaken is on a low, medium or high voltage system.

The AFP-25 Helmet Mounted Arc Flash Faceshield is a Personal Protective Equipment (PPE) device designed to reduce the harmful effects of an arc flash incident (electrical fault arc) to the eyes and face when selected and used correctly as part of an arc flash protective ensemble that also includes suitable arc flash protective clothing and gloves.

GENERAL WARNINGS

- The AFP-25 Helmet Mounted Arc Flash Faceshield must be in the deployed/working position to offer protection.
- Do not over expose to sunlight
- Do not use for welding
- Do not expose to open fire for long periods of time
- Surface may get hot when exposed to electromagnetic radiation
- Replace when exposed to chemicals, oils or lubricants
- Replace if damaged by mechanical impact
- Only use as a kit with the chinguard attached
- Only use replacement parts supplied by the manufacturer
- Make sure the workplace is sufficiently illuminated - see Usage section for more information.
- Material which may come into a contact with the wearer's skin could cause allergic reactions to susceptible individuals if this is the case, leave the hazard area, remove the helmet and faceshield and seek medical attention.
- The AFP-25 Helmet Mounted Arc Flash Faceshield protects against high speed particles. When worn over standard ophthalmic spectacles, they may transmit impacts, thus creating a hazard to the wearer.
- For a Faceshield to comply with field of use symbol 8 it shall be fitted with a filter of scale number, at least, 2-1.2 and have a minimum thickness of 1.4 mm.
- For an eye protector to comply with field of use symbol 9 both the frame and ocular shall be marked with the symbols together with one of the symbols F, B or A.
- If the symbol F, B and A are not common to both the oculars and the frame then it is the lower which shall be assigned to the complete eye protector.
- The AFP-25 Helmet Mounted Arc Flash Faceshield should be used as part of an arc flash protective ensemble that also includes suitable arc flash protective clothing and gloves
- Failure to follow these instructions can result in a permanent impairment of sight or other serious personal injury.

STANDARDS

AFP-25 Helmet Mounted Arc Flash Faceshield is certified to EN 166:2001, GS-ET-29:2019 and complies with Annex II of the Regulation (EU) 2016/425.

It is designed to meet ANSI Z87.1. Furthermore, the AFP-25 Helmet Mounted Arc Flash Faceshield is tested to an ATPV of 25 cal/cm² as per ASTM F2178:2008 (PPE Level 2 as per NFPA 70E:2015).

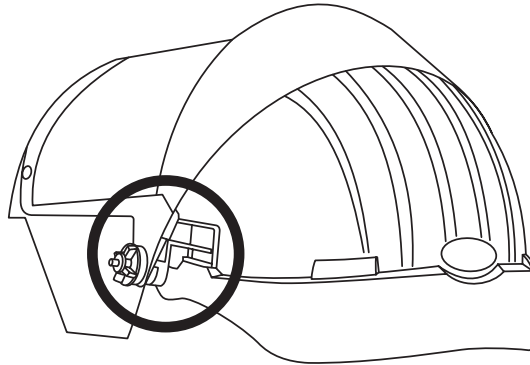
FIELD OF APPLICATION

- The AFP-25 Helmet Mounted Arc Flash Faceshield together with additional PPE appropriate for the afore determined level of protection, protects the qualified user during live working or when in the vicinity of live parts.
- The AFP-25 Helmet Mounted Arc Flash Faceshield provides protection to eyes and face only if used as intended.
- Do not use the AFP-25 Helmet Mounted Arc Flash Faceshield for electric arc welding. Additionally, the faceshield should not be used or stored in areas where arc welding work is carried out.
- A proper risk assessment must be carried out by a qualified person prior to the work being carried out.

FITTING THE VISOR TO THE HELMET

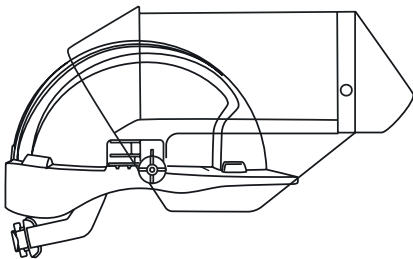
The AFP-25 Helmet Mounted Arc Flash Faceshield must only be mounted to a JSP EVO®5 unvented industrial safety helmet that is approved for electrical protection at the maximum expected level. In case of any doubt, contact JSP Technical Helpline.

To fit the visor, insert the adaptors into the universal attachment slots on the helmet. Listen for a click sound to ensure the adaptor is securely fitted.

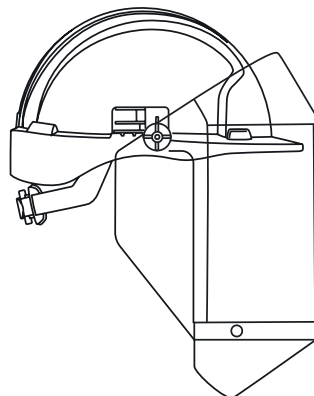


POSITIONING THE VISOR ON THE HELMET

Fit and adjust the helmet, then grip the chinguard to pull the shield down into the deployed/working position.



Position 1:
AFP-25 Helmet Mounted Arc Flash Faceshield
in raised position.



Position 2:
AFP-25 Helmet Mounted Arc Flash Faceshield
in deployed/working position.

USAGE

Always check the AFP-25 Helmet Mounted Arc Flash Faceshield assembly components before use. Manually adjust the adaptors to ensure secure attachment. Do not over tighten the adaptors as this can prevent the faceshield from being adjusted and positioned correctly.

- Inspect adaptors regularly for cracks or damage. Ensure adaptors are locked into helmet attachment slots before each use.
- Check EVO® helmet attachment slots and inspect for cracks that could allow the adaptor to slip out.
- Ensure lower chinguard fittings are tightened before use.
- Grip the faceshield by the chinguard to adjust. Never raise or lower using the side shields.

The AFP-25 Helmet Mounted Arc Flash Faceshield can only offer protection when worn in the deployed/working position. The faceshield should not be worn in the raised position when working on or in the vicinity of live parts.

The faceshield is designed, tested and approved for use with EVO®5 safety helmets, providing a high level of protection by positioning the visor close to the face while maintaining sufficient clearance for comfortable working. Before entering the hazard area, make sure that no parts of the face are in contact with the inner shield surface.

The operating temperature shall be between -10°C and 45°C.

The AFP-25 Helmet Mounted Arc Flash Faceshield is Arc Protection Class 2 and VLT (Visible Light Transmittance) Class 2 product in accordance with GS-ET-29. For a VLT class 2 product, additional illumination is required to achieve a minimum illumination level of 30 lux behind the visor. Check the illumination level behind the visor before use.

NOTE: As workplace environments vary, users should check the level of additional lighting required to use the shield. Artificial illumination, especially illumination coming from fluorescent or LED lamps together with the tinting of the shield can affect colour recognition abilities.

To make sure that colours can be recognised well enough to allow safe working, we recommend carrying out the following procedure in the workplace under local illumination conditions:

1. Collect multiple pieces of cable with the same cables coding used in the workplace;
2. Locate a safe area with the same illumination level (type and intensity) as the work area;
3. Clean the eye protector and inspect for damage following the user instructions;
4. Fit and adjust the faceshield to the deployed/working position following the user instructions;
5. Quickly sort the cable pieces while wearing the faceshield in the deployed/working position.

If difficulties are encountered in coding differentiation or the cables are sorted incorrectly, this shows the illumination level is insufficient and carrying out work in this area could increase the risk of an incident.

NOTE: The AFP-25 Helmet Mounted Arc Flash Faceshield is designed to protect the eyes and face against the mechanical and thermal hazards of an arc flash. The AFP-25 Helmet Mounted Arc Flash Faceshield does not substitute prescription glasses, other eye and face protectors, respiratory protection, or additional PPE required for sufficient protection in accordance with the hazard and risk assessment and safety legislation applicable to the workplace. Ensure that all PPE to be worn together is compatible.

NOTE: The use of safety spectacles underneath the visor is advised and may be mandatory due to national legislation or company policy.

NOTE: An arc flash / electrical fault arc of high incident energy may cause permanent impairment of sight or other serious personal injury. Appropriate workplace controls should be implemented to minimise the risk of injury. PPE is a final barrier in case other control measures fail. Consider selecting protective equipment with a higher performance level to provide protection in the case of a real accident generating a higher level of energy than calculated in the hazard and risk assessment. The AFP-25 Helmet Mounted Arc Flash Faceshield described in this document is an Arc Protection Class 2 product. Do not carry out live work in conditions that require a higher Arc Protection Class.

CLEANING

Clean and inspect the AFP-25 Helmet Mounted Arc Flash Faceshield before and after each use. To clean/disinfect, rinse in 1% solution of mild detergent and dry with a soft cloth. DO NOT USE abrasive cleaners. Ensure all components are correctly reassembled before use.

STORAGE

Store the AFP-25 Helmet Mounted Arc Flash Faceshield in the protective box provided with the product. (NOTE: Other packing materials may contain solvents which can decrease the level of protection.) Store the AFP-25 Helmet Mounted Arc Flash Faceshield out of sunlight in a clean and dry environment. Do not store in temperatures below -10°C or exceeding 45°C. Do not expose the AFP-25 Helmet Mounted Arc Flash Faceshield to any arc welding operation.

MAINTENANCE, REPAIR AND REPLACEMENT

Ensure wing nuts remain tight to allow the faceshield to be stowed securely.

The AFP-25 Helmet Mounted Arc Flash Faceshield (including the permanently attached chin protector) must be replaced if:

- it is scratched or damaged,
- it has been exposed to an arc flash,
- it has been exposed to chemicals, oils or lubricants*,
- it is damaged by mechanical impact*,
- it has reached the end of its usage life (see Inspection and Usage Life section)
- it has been exposed to high heat or over exposed to sun light*,
- it has been exposed to fire*.

* **ATTENTION:** Damage caused by these incidents may not be visible.

INSPECTION AND USAGE LIFE

Inspect the faceshield regularly and replace any damaged or worn components.

Under normal circumstances the faceshield should offer adequate protection for 5 years.

Do not reuse the faceshield after an arc flash incident. If the faceshield has been exposed to an arc flash incident or subject to any damage outlined above it must be replaced.

HAZARDS ASSESSMENT

In order to select appropriate eye and face protection, a hazard and risk assessment must be carried out by authorised personnel with the relevant training and qualifications. The eye and face protector must never be used in environments with a higher risk rating that the protection rating indicated on the marking.

The AFP-25 Helmet Mounted Arc Flash Faceshield must be combined with further arc flash protective PPE such as helmets, garments, gloves and any other equipment deemed appropriate in the hazard and risk assessment.

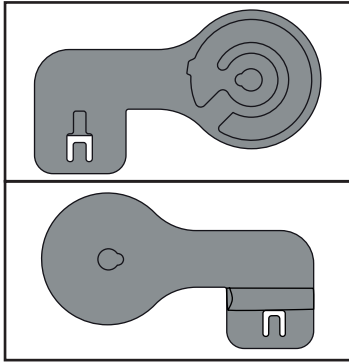
Inappropriate usage, for example at higher arc exposures, may cause severe damage to the health and endanger the life of the user.

HAZARD	SOURCE OF HAZARD	SAFETY FACTORS RELATING TO CHOICE & USE OF PPE
General actions	By contact: Fire, Explosions	Protection of the face and portions of the head worn with appropriately rated helmets, balaclava, shirt, pants, gloves and boots
	Wear due to use.	Resistance to scratching
Thermal hazards produced by electric arc	Electric equipment malfunction, heat from an arc flash, exposed flame	Level of heat exposure from an arc flash, small splash of molten metal (copper, iron or projected) from an arc flash
Lack of visibility	Insufficient perception	High visibility attachments on clothing, retro reflection, increased lighting in work areas
High speed impacts	Particles projected to high speed	Select the correct faceshield according to the energy of the possible projected particles
Burns to the eyes	UV radiation	Select the correct filter for the related use. Do not look directly to the luminous source

WEIGHT BALANCE SYSTEM (WBS)

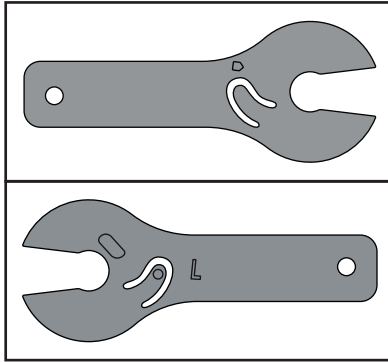
COMPONENTS

The system is comprised of 6 components. 3 parts make up each side (left and right).



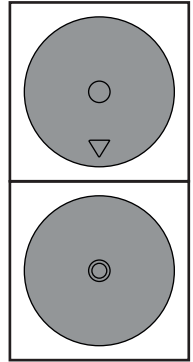
1. BASE

Designed to fit only the right or left helmet slot. The rounded part of the base is positioned to the rear of the helmet.



2. ARM

The arms are marked R for right or L for left.



3. COVER

The cover has a triangle marking on the outer side.

MOUNTING THE WBS

The WBS is supplied assembled. The triangle marking on the cover is positioned directly over the channel in the base, allowing the arm to slide to the axle.

The WBS is mounted using the screws, nuts and rubber washers provided with the standard visor mounting system.

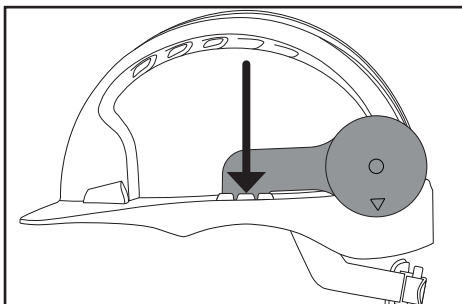
1) Mount WBS arm on the screw. (Note 'L' or 'R' marking on the arm.)

2) Put one rubber washer on the screw.

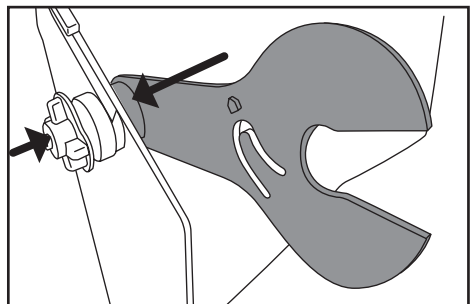
3) Attach the faceshield.

4) Add the second rubber washer.

5) Add the nut and turn to tighten until the faceshield is secured with the arm in the upright position. (The nut can be loosened if work can be carried out with the faceshield in the raised position.)



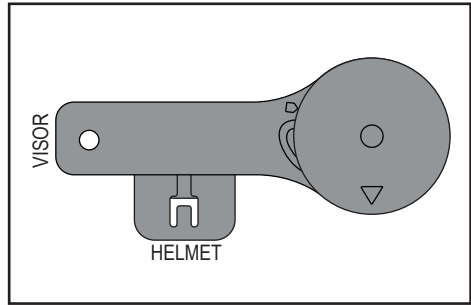
WBS mounted to helmet - Base with Cover



WBS Arm mounted to visor – Screw/Arm/Rubber washer/Visor/Rubber Washer/Nut

With the faceshield and WBS mounted to the helmet, move the faceshield to the deployed/working position to check the browguard is positioned over the front of the EVO® helmet shell. Lift the faceshield until the triangle marking on the WBS base lines up with the marking on the WBS arm. This allows the arm to slide to the axle. When the faceshield is secured you will hear a click sound.

The WBS is now mounted and ready for use.



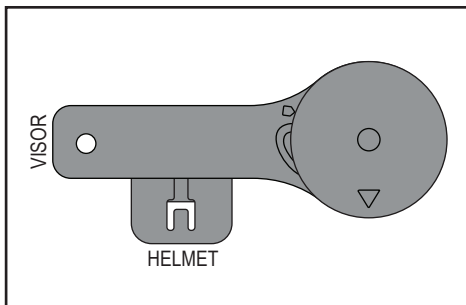
WBS Working position

USING THE WBS

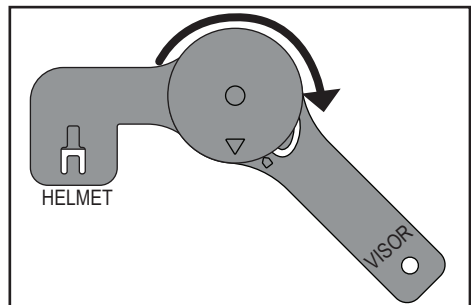
Deployed/working position: Faceshield lowered in front of the wearer’s face, secured in place with a click sound.

Stowed position: The faceshield is balanced over the helmet’s crown. Position the faceshield upright to allow the WBS to move to the stowed position. Ensure WBS arm is positioned upright before turning the faceshield. Secure the helmet with click sound. (**Optional:** The faceshield can be gently pressed towards the helmet shell to reduce profile further.)

Practice operating the faceshield and WBS before entering the hazard area. The system is designed to be lifted and lowered using one hand to grip the chinguard.



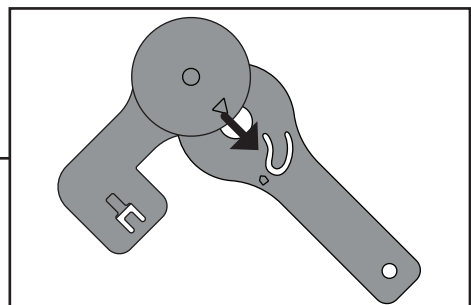
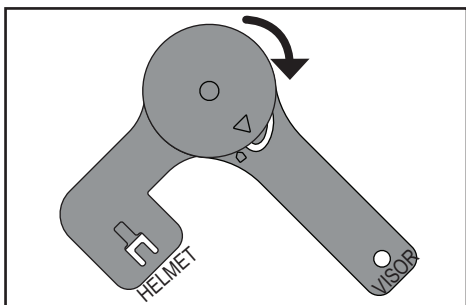
WBS Working position



WBS Stowed position






It is recommended to keep the faceshield and WBS attached to the helmet. Repeated mounting and removal of the WBS and faceshield can damage the helmet attachment slots and prevent proper fitting.

To remove the faceshield, reverse the mounting process above.



WBS 2 release positions (Watch the marks on Cover and Arm)

MARKINGS

MARK	MEANING		
	Manufacturers Trademark		CE Mark with ID number of Notified Body (required for Cat. III products according to Annex II of the PPE REGULATION 2016/425)
	Protection against the thermal effect of the electric arc.		See instructions for use. If the instructions for use recommendations are not adhered to, the protection afforded by the device may be severely impaired.
	Manufacturing date wheel: year of manufacture indicated in centre, month shown by arrow		
EN 166	The European Standard for Industrial Eye Protection	Z87	The American Standard (ANSI) for Industrial Eye Protection
2 or 2C-#	Ultra violet filter (C = good colour recognition) & grade # (EN170)		
1	Number signifying the optical class, 1 is high 3 is low		
B	Withstands medium energy impact from high speed particles		
8-2-2	In accordance with GS-ET-29: "8" = Resistance to short circuit electric arc. "2" = Fault class 2 (423 kJ/m ² ~ 10,1 cal/cm ² , Open-Box Test). "2" = Visible light transmittance class 2 (VLT < 50%)		
K	EN166 resistance to surface damage by fine particles		

AFP-25 MONTÉ SUR CASQUE ÉCRAN FACIAL À ARC ÉLECTRIQUE

EN166:2001 // EN170:2002 // GS-ET 29:2019. CAT III Product.

Une copie de ce manuel et de la déclaration de conformité du produit est disponible sur la page produit:
documents.jspssafety.com

CONTENU

Introduction	11
Avertissement général	11
Normes	11
Descriptions des produit	12
Montage de la visière sur le casque	12
Ajustement de la visière	12
Usage	13
Nettoyage	14
Stockage	14
Entretien, réparation et remplacement	14
Inspection et durée de vie	14
Évaluation des dangers	14
Manuel d'utilisation du système d'équilibrage de poids (WBS)	15
Marquages	17

IMPORTANT: Cette notice doit être lue dans son intégralité, l'utilisateur doit être familiarisé et formé à l'utilisation du produit avant que celui-ci ne soit utilisé. Cette notice doit être conservée pour référence ultérieure.

INTRODUCTION

Un arc électrique est un courant de défaut généré par un court-circuit traversant de l'air ionisé. Un arc électrique émet du plasma, des niveaux élevés de chaleur convective et des doses extrêmement élevées de rayonnement électromagnétique (rayonnement ultraviolet (UV), rayonnement infrarouge (IR) et lumière visible à haute énergie). L'explosion de chaleur en expansion génère de l'air toxique, un bruit extrême et une onde de pression progressant rapidement – souvent accompagnée de débris volants tels que des fragments et du métal en fusion.

Un incident d'arc électrique peut être provoqué par un défaut du système ou une erreur de manipulation dans un environnement électrique à courant élevé, que les travaux entrepris soient effectués sur un système basse, moyenne ou haute tension.

L'écran facial à arc électrique monté sur casque AFP-25 est un équipement de protection individuelle (EPI) conçu pour réduire les effets nocifs d'un incident d'arc électrique (arc électrique) sur les yeux et le visage lorsqu'il est sélectionné et utilisé correctement dans le cadre d'un arc électrique. ensemble de protection comprenant également des vêtements et des gants de protection contre les arcs électriques appropriés.

AVERTISSEMENTS GÉNÉRAUX

- L'écran facial à arc électrique monté sur casque AFP-25 doit être en position baissée pour offrir une protection.
- Ne pas surexposer à la lumière du soleil
- Ne pas utiliser pour la soudure
- Ne pas exposer à un feu découvert pendant de longues périodes
- La surface peut devenir chaude lorsqu'elle est exposée à une radiation électromagnétique
- Remplacer lorsqu'elle est exposée à des produits chimiques, des huiles ou des lubrifiants
- Remplacer si endommagée par un impact mécanique
- Utiliser uniquement comme un kit avec le retour menton attaché
- Utilisez uniquement des pièces de rechange d'origine
- Assurez-vous que votre lieu de travail est suffisamment éclairé
- Le matériel, en contact avec la peau du porteur pourrait provoquer des réactions allergiques chez des personnes sensibles. Si cela se produit, quitter la zone à risque, retirer le casque et la visière et consulter un médecin.
- L'écran facial à arc électrique monté sur casque AFP-25 protège contre les particules à grande vitesse. Lorsque portée par-dessus des lunettes de vue, celles-ci peuvent transmettre des impacts, créant ainsi un danger pour le porteur.
- Pour qu'un écran facial soit conforme au symbole 8 du domaine d'utilisation, il doit être équipé d'un filtre avec marquage au moins, 2-1.2 et avoir une épaisseur minimale de 1,4mm.
- Pour qu'un dispositif de protection des yeux soit conforme au symbole 9 du champ d'utilisation, la monture et l'oculaire doivent être marqués par les symboles ainsi que par l'un des symboles F, B ou A.
- Lorsque le symbole F, B et A n'est pas commun aux oculaires et à la monture, c'est le plus bas qui sera attribué au dispositif de protection oculaire complet.
- L'écran facial à arc électrique monté sur casque AFP-25 doit être utilisée dans le cadre d'un ensemble d'équipements de protection contre l'arc électrique qui comprend également des vêtements et des gants appropriés.
- Le non-respect de ces instructions peut entraîner une déficience permanente de la vue ou d'autres blessures graves.

NORMES

L'écran facial à arc électrique monté sur casque AFP-25 est certifiée EN 166:2001, GS-ET-29:2011/05 et est conforme à l'annexe II du règlement (UE) 2016/425. Le produit est conforme aux directives UK SI 2018 No. 390.

Conçue pour répondre à la norme ANSI Z87. 1. De plus, L'écran facial à arc électrique monté sur casque AFP-25 est testée à la valeur ATPV de 25 cal/cm² selon la norme ASTM F2178:2008 (EPI niveau 2 selon NFPA 70E:2015).

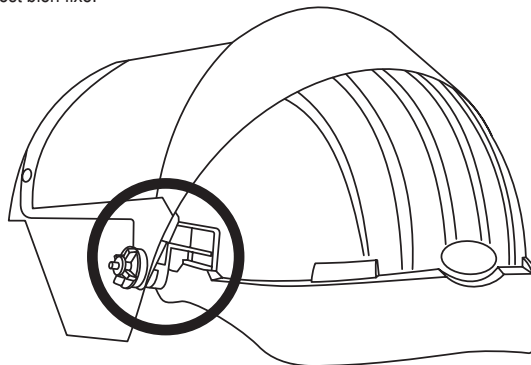
DESCRIPTIONS DES PRODUIT

- L'écran facial à arc électrique monté sur casque AFP-25 accompagnée d'un EPI supplémentaire adapté au niveau de protection déterminé auparavant, protège l'utilisateur qualifié pendant les travaux sous tension ou lorsqu'il se trouve à proximité de zones sous tension.
- L'écran facial à arc électrique monté sur casque AFP-25 n'offre une protection pour les yeux et le visage que si elle est utilisée conformément à son mode d'emploi.
- Ne pas utiliser l'écran facial à arc électrique monté sur casque AFP-25 pour le soudage à l'arc électrique et ne l'utilisez pas / ne la stockez pas à proximité de travaux de soudage à l'arc.
- Une évaluation appropriée des risques doit être effectuée par une personne qualifiée avant l'exécution des travaux.

MONTAGE DE LA VISIÈRE SUR LE CASQUE

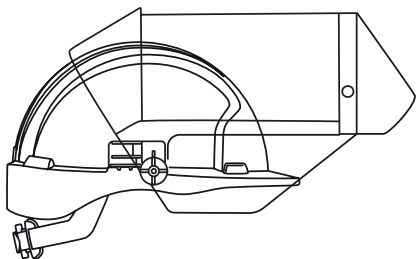
L'écran facial à arc électrique monté sur casque AFP-25 doit être monté uniquement sur un casque de sécurité industriel JSP EVO®5 non ventilé qui est approuvé pour la protection électrique au niveau maximum attendu. En cas de doute, contactez la ligne d'assistance technique JSP.

Pour installer la visière, insérez les adaptateurs dans les fentes de fixation universelles du casque. Écoutez un clic pour vous assurer que l'adaptateur est bien fixé.



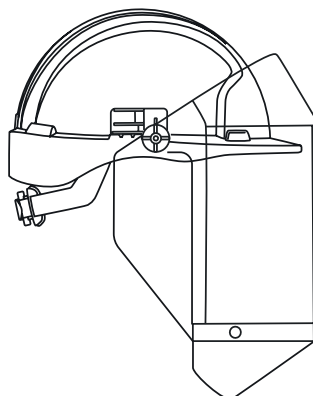
AJUSTEMENT DE LA VISIÈRE

Enfiler et ajuster le casque, puis saisissez la mentonnière pour abaisser la protection en position déployée/de travail.



Position 1:

L'écran facial à arc électrique monté sur casque AFP-25 en position relevée.



Position 2:

L'écran facial à arc électrique monté sur casque AFP-25 en position déployée/de travail.

USAGE

Vérifiez toujours les composants de l'écran facial à arc électrique monté sur casque AFP-25 avant utilisation. Ajustez manuellement les adaptateurs pour garantir une fixation sécurisée. Ne serrez pas trop les adaptateurs car cela pourrait empêcher l'écran facial d'être ajusté et positionné correctement.

- Inspectez les adaptateurs pour voir s'ils sont fissurés ou endommagés. Assurez-vous qu'ils soient bien verrouillés dans les fentes pour accessoires des casques avant chaque utilisation.
- Vérifiez les fentes de fixation du casque EVO® et recherchez des fissures qui pourraient permettre à l'adaptateur de glisser.
- Assurez-vous que les raccords inférieurs de la protège-menton sont serrés avant utilisation.
- Saisissez l'écran facial par la protège-menton pour l'ajuster. Ne soulevez ou n'abaissez jamais l'appareil à l'aide des protections latérales.

L'écran facial à arc électrique monté sur casque AFP-25 ne peut offrir une protection que lorsqu'il est porté en position déployée/de travail. L'écran facial ne doit pas être porté en position relevée lorsque vous travaillez sur ou à proximité de pièces sous tension.

L'écran facial est conçu, testé et approuvé pour une utilisation avec les casques de sécurité EVO®5, offrant un haut niveau de protection en positionnant la visière près du visage tout en maintenant un dégagement suffisant pour un travail confortable. Avant d'entrer dans la zone dangereuse, assurez-vous qu'aucune partie du visage n'est en contact avec la surface intérieure du bouclier.

La température de fonctionnement doit être comprise entre -10°C et 45°C.

L'écran facial à arc électrique monté sur casque AFP-25 est un produit de classe de protection contre les arcs électriques 2 et de classe 2 VLT (transmission de la lumière visible) conformément à la norme GS-ET-29. Pour un produit VLT de classe 2, un éclairage supplémentaire est requis pour atteindre un niveau d'éclairage minimum de 30 lux derrière la visière. Vérifiez le niveau d'éclairage derrière la visière avant utilisation.

NOTE: Comme les environnements de travail varient, les utilisateurs doivent vérifier le niveau d'éclairage supplémentaire requis pour utiliser l'écran. L'éclairage artificiel, en particulier l'éclairage provenant de lampes fluorescentes ou LED, ainsi que la teinte du bouclier peuvent affecter les capacités de reconnaissance des couleurs.

Afin de garantir que les couleurs soient suffisamment bien reconnues pour permettre un travail en toute sécurité, nous recommandons d'effectuer la procédure suivante sur le lieu de travail dans des conditions d'éclairage locales:

1. Collecter plusieurs morceaux de câbles avec le même codage de câbles que ceux utilisés sur le lieu de travail;
2. Localiser une zone sécuritaire avec le même niveau d'éclairage (type et intensité) que la zone de travail;
3. Nettoyer la protection oculaire et inspectez-la pour déceler tout dommage en suivant les instructions d'utilisation;
4. Installer et ajuster l'écran facial en position déployée/travail en suivant les instructions d'utilisation;
5. Triez rapidement les morceaux de câbles tout en portant l'écran facial en position déployée/de travail.

Si des difficultés sont rencontrées dans la différenciation du codage ou si les câbles sont mal triés, cela indique que le niveau d'éclairage est insuffisant et effectuer des travaux dans cette zone pourrait augmenter le risque d'incident.

NOTE: L'écran facial contre l'arc électrique monté sur casque AFP-25 est conçu pour protéger les yeux et le visage contre les risques mécaniques et thermiques d'un arc électrique. L'écran facial à arc électrique monté sur casque AFP-25 ne remplace pas les lunettes de prescription, les autres protections oculaires et faciales, la protection respiratoire ou les EPI supplémentaires requis pour une protection suffisante conformément à l'évaluation des dangers et des risques et à la législation sur la sécurité applicable sur le lieu de travail. Assurez-vous que tous les EPI à porter ensemble sont compatibles.

NOTE: Le port de lunettes de sécurité sous la visière est conseillé et peut être obligatoire en raison de la législation nationale ou de la politique de l'entreprise.

NOTE: Un arc électrique / un arc de défaut électrique présentant une énergie incidente élevée peut entraîner une déficience permanente de la vue ou d'autres blessures graves. Des contrôles appropriés sur le lieu de travail doivent être mis en œuvre pour minimiser le risque de blessure. L'EPI constitue une dernière barrière en cas d'échec des autres mesures de contrôle. Envisager de sélectionner un équipement de protection avec un niveau de performance plus élevé pour assurer une protection en cas d'accident réel générant un niveau d'énergie supérieure à celui calculé dans l'évaluation des dangers et des risques. L'écran facial contre les arcs électriques monté sur casque AFP-25 décrit dans ce document est un produit de classe de protection contre les arcs électriques 2. N'effectuez pas de travaux sous tension dans des conditions nécessitant une classe de protection contre les arcs électriques plus élevée.

NETTOYAGE

Nettoyez et inspectez l'écran facial à arc électrique monté sur casque AFP-25 avant et après chaque utilisation. Pour nettoyer/désinfecter, rincer dans une solution à 1 % de détergent doux et sécher avec un chiffon doux. NE PAS UTILISER de nettoyeurs abrasifs. Assurez-vous que tous les composants sont correctement réassemblés avant utilisation.

STOCKAGE

Rangez l'écran facial à arc électrique monté sur casque AFP-25 dans la boîte de protection fournie avec le produit. (REMARQUE : d'autres matériaux d'emballage peuvent contenir des solvants qui peuvent diminuer le niveau de protection.) Conservez l'écran facial à arc électrique monté sur casque AFP-25 à l'abri du soleil dans un environnement propre et sec. Ne pas conserver à des températures inférieures à -10°C ou supérieures à 45°C. N'exposez pas l'écran facial à arc électrique monté sur casque AFP-25 à une opération de soudage à l'arc.

ENTRETIEN, RÉPARATION ET REMPLACEMENT

Assurez-vous que les écrous à oreilles restent serrés pour permettre à l'écran facial d'être rangé en toute sécurité.

L'écran facial à arc électrique monté sur casque AFP-25 (y compris la protège-menton fixée en permanence) doit être remplacé si :

- il est rayé ou endommagé,
- il a été exposé à un arc électrique,
- il a été exposé à des produits chimiques, des huiles ou des lubrifiants*,
- il est endommagé par un choc mécanique*,
- il a atteint la fin de sa durée d'utilisation (voir la section Inspection et durée d'utilisation)
- il a été exposé à une chaleur élevée ou surexposé à la lumière du soleil*,
- il a été exposé au feu*.

* **ATTENTION:** Les dommages causés par ces incidents peuvent ne pas être visibles.

INSPECTION ET DURÉE DE VIE

Inspectez régulièrement l'écran facial et remplacez tout composant endommagé ou usé.

Dans des circonstances normales, l'écran facial devrait offrir une protection adéquate pendant 5 ans.

Ne réutilisez pas l'écran facial après un incident d'arc électrique. Si l'écran facial a été exposé à un arc électrique ou soumis à tout dommage décrit ci-dessus, il doit être remplacé.

ÉVALUATION DES DANGERS

Afin de sélectionner les dispositifs de protection des yeux et du visage appropriés, une analyse des dangers et des risques doit être effectuée par des experts bien formés et le dispositif de protection des yeux, du visage et/ou de la tête ne doit jamais être utilisé dans des environnements présentant un niveau de risque plus élevé que le niveau de protection indiqué sur le marquage.

L'écran facial à arc électrique monté sur casque AFP-25 doit être combiné avec d'autres EPI de protection contre les arcs électriques, tels que des casques, des vêtements, des gants et tout autre équipement jugé approprié dans l'évaluation des dangers et des risques.

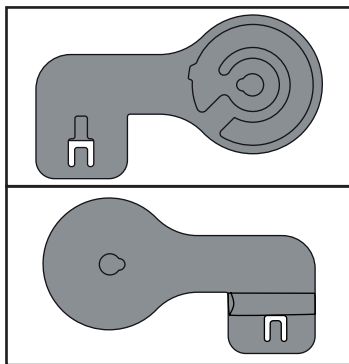
Une utilisation inappropriée, par exemple en cas d'exposition à des arcs électriques élevés, peut causer de graves atteintes à la vie et à la santé de l'utilisateur.

RISQUE	SOURCE DU RISQUE	FACTEURS DE SÉCURITÉ LIÉS AU CHOIX ET À L'UTILISATION DES EPI
Actions générales	Par contact : Incendie, Explosions	Protection du visage et de certaines parties de la tête par le port de casquettes, cagoules, chemises, pantalons, gants et bottes
	L'usure due à l'utilisation.	Résistance aux rayures
Risques thermiques produits par l'arc électrique	Dysfonctionnement de l'équipement électrique, chaleur d'un arc électrique, flamme exposée	Niveau d'exposition à la chaleur d'un arc électrique, petite éclaboussure de métal fondu (cuivre, fer ou projeté) d'un arc électrique
Manque de visibilité	Perception insuffisante	Accessoires haute visibilité sur les vêtements, rétro-réflexion, éclairage accru dans les zones de travail
Impacts à grande vitesse	Particules projetées à grande vitesse	Choisir le bon écran facial en fonction de l'énergie des éventuelles particules projetées
Brûlures sur les yeux	Le rayonnement UV	Sélectionnez le filtre approprié pour l'utilisation concernée. Ne pas regarder directement la source lumineuse

SYSTÈME D'ÉQUILIBRAGE DU POIDS (WBS)

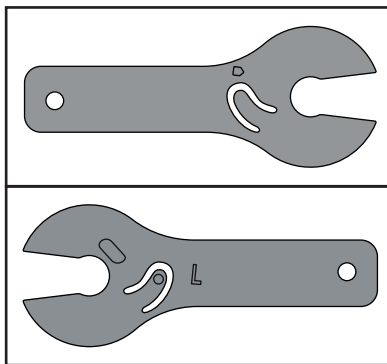
COMPOSANTS DU SYSTÈME

Le système est composé de 6 composants. 3 parties composent chaque côté (gauche et droite).



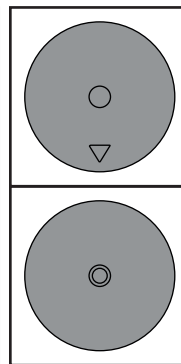
1. BASE

Conçu pour s'adapter uniquement à la fente droite ou gauche du casque. La partie arrondie de la base est positionnée à l'arrière du casque.



2. BRAS

Les bras sont marqués R pour droite ou L pour gauche.



3. COUVRIR

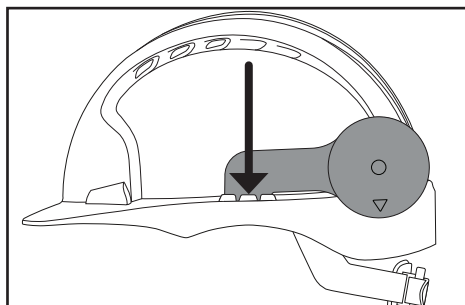
Le couvrir comporte un triangle marquage sur le côté extérieur.

MONTAGE DU SYSTÈME WBS

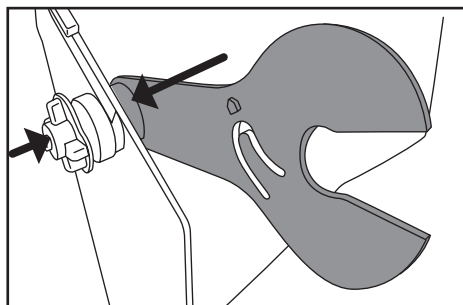
Le WBS est fourni assemblé. Le marquage triangulaire sur le couvercle est positionné directement sur le canal dans la base, permettant au bras de glisser jusqu'à l'essieu.

Le WBS est monté à l'aide des vis, écrous et rondelles en caoutchouc fournis avec le système de montage de visière standard.

1. Montez le bras WBS sur la vis. (Notez le marquage « L » ou « R » sur le bras.)
2. Mettez une rondelle en caoutchouc sur la vis.
3. Fixez l'écran facial.
4. Ajoutez la deuxième rondelle en caoutchouc.
5. Ajoutez l'écrou et tournez pour serrer jusqu'à ce que l'écran facial soit fixé avec le bras en position verticale. (L'écrou peut être desserré si le travail peut être effectué avec l'écran facial en position relevée.)



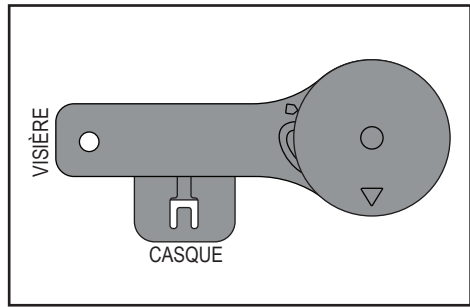
WBS monté sur le casque - Base avec couvrir



Bras WBS monté sur la visière - Vis / Bras / Rondelle en caoutchouc / Visière / Rondelle en caoutchouc / Écrou

Une fois l'écran facial et le WBS montés sur le casque, déplacez l'écran facial en position déployée/de travail pour vérifier que le protège-front est positionné sur l'avant de la coque du casque EVO®. Soulevez l'écran facial jusqu'à ce que le marquage triangulaire sur la base WBS s'aligne avec le marquage sur le bras WBS. Cela permet au bras de glisser vers l'essieu. Lorsque l'écran facial est sécurisé, vous entendrez un clic.

Le WBS est maintenant monté et prêt à être utilisé.



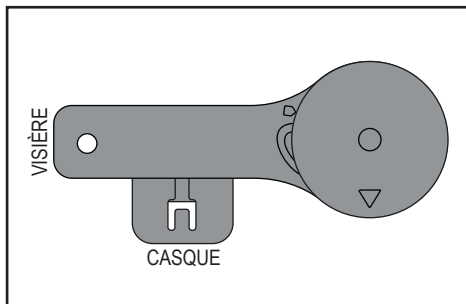
WBS Position de travail

UTILISER LE WBS

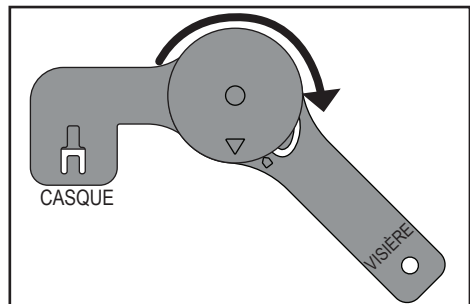
Position de déploiement/de travail: Écran facial abaissé devant le visage de l'utilisateur, fixé en place avec un clic.

Position repliée : l'écran facial est en équilibre sur la couronne du casque. Placez l'écran facial à la verticale pour permettre au WBS de se déplacer en position de rangement. Assurez-vous que le bras WBS est positionné à la verticale avant de tourner l'écran facial. Fixez le casque avec un clic. (Facultatif : l'écran facial peut être doucement pressé contre la coque du casque pour réduire davantage le profil.)

Entraînez-vous à utiliser l'écran facial et le WBS avant d'entrer dans la zone dangereuse. Le système est conçu pour être levé et abaissé d'une seule main pour saisir la protège-menton.



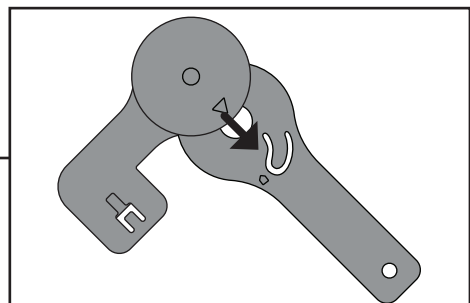
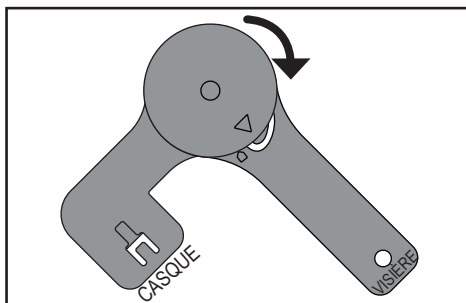
WBS Position de travail



WBS Position rétractée






Il est recommandé de garder l'écran facial et le WBS attachés au casque. Le montage et le retrait répétés du WBS et de l'écran facial peuvent endommager les fentes de fixation du casque et empêcher un ajustement correct.

Pour retirer l'écran facial, inversez le processus de montage ci-dessus.



Positions de dégagement du WBS 2 (Regardez les marques sur le couvercle et le bras)

MARQUAGES

MARQUAGE	SIGNIFICATION		
	Marque de commerce du fabricant		Marquage CE avec numéro d'identification de l'organisme notifié (Exigé pour les EPI de catégorie III selon l'annexe II du RÈGLEMENT EPI 2016/425)
	Protection contre le choc thermique de l'arc électrique.		Voir mode d'emploi. Si les recommandations d'utilisation ne sont pas respectées, il se peut que la protection offerte par le dispositif soit fortement réduite.
	Roue de date de fabrication : année de fabrication indiquée au centre, mois indiqué par une flèche		
EN 166	La norme Européenne de protection oculaire pour les applications industrielles	Z87	Norme Américaine (ANSI) de protection oculaire pour les applications industrielles
2 or 2C-#	Filtre ultra-violet (C = bonne reconnaissance de couleurs) et no d'échelon (EN 170)		
1	Nombre signifiant la classe optique, 1 est la classe la plus élevée et 3 la plus faible		
B	Résiste à l'impact à moyenne énergie des particules haute vitesse		
8-2-2	Conformément à GS-ET-29 : "8" = Résistance à l'arc électrique de court-circuit. "2" = Classe de défaut 2 (423 kJ/m ² ~ 10,1 cal/cm ² , test en boîte ouverte). "2" = Classe de transmission de la lumière visible 2 (VLT < 50 %)		
K	Résistance aux dommages de surface par des particules fines conformément à la norme EN 166		

AFP-25 HELMMONTIERTER LICHTBOGEN-GESICHTSSCHUTZ

EN166:2001 // EN170:2002 // GS-ET 29:2019. CAT III Product.

Eine Kopie dieser Gebrauchsanleitung und die Konformitätserklärung für das Produkt finden Sie auf der Produktseite:
documents.jspsafety.com

INHALT

Einführung	19
Allgemeine Warnungen	19
Standards/Normen	19
Anwendungsbereich	20
Anbringen des Visiers am Helm	20
Anpassen des Visiers	20
Verwendung	21
Reinigung	22
Speicherung	22
Wartung, Reparatur und Austausch	22
Inspektion und Nutzungsdauer	22
Gefahrenbeurteilung	22
Benutzerhandbuch für die Gewichtsausgleichssystem (WBS)	23
Markierungen	25

WICHTIG: Dieses Handbuch ist vollständig und sorgfältig zu lesen. Der Anwender sollte mit dem Produkt vertraut und geübt sein, bevor er es einsetzt. Dieses Handbuch muss für zukünftiges Nachschlagen zur Verfügung stehen.

EINFÜHRUNG

Ein Lichtbogen ist ein Fehlerstrom, der durch einen Kurzschluss erzeugt wird, der sich durch ionisierte Luft ausbreitet. Bei einem Störlichtbogen entstehen Plasma, hohe Konvektionswärme und extrem hohe Dosen elektromagnetischer Strahlung (ultraviolette Strahlung (UV), Infrarotstrahlung (IR) und hochenergetisches sichtbares Licht). Die Explosion der sich ausdehnenden Hitze erzeugt giftige Luft, extremen Lärm und eine schnell fortschreitende Druckwelle – oft begleitet von herumfliegenden Trümmern wie Bruchstücken und geschmolzenem Metall.

Ein Lichtbogenvorfall kann durch einen Systemfehler oder einen Handhabungsfehler in einer Hochstromumgebung verursacht werden, unabhängig davon, ob die Arbeiten an einem Nieder-, Mittel- oder Hochspannungssystem durchgeführt werden.

Der am Helm montierte Lichtbogen-Gesichtsschutz AFP-25 ist eine persönliche Schutzausrüstung (PSA), die die schädlichen Auswirkungen eines Lichtbogenfalls (elektrischer Störlichtbogen) auf Augen und Gesicht reduzieren soll, wenn sie als Teil eines Lichtbogenblitzes richtig ausgewählt und verwendet wird. Schutzausrüstung, zu der auch geeignete Lichtbogenschutzkleidung und Handschuhe gehören.

ALLGEMEINE WARNUNGEN

- Das am Helm montierte AFP-25 Störlichtbogenvisionier muss in der maximal abgesenkten Position vor dem Gesicht sein, um Schutz zu gewähren.
- Nicht unnötig dem Sonnenlicht aussetzen
- Nicht zum Schweißen benutzen
- Nicht längere Zeit offenem Feuer aussetzen
- Die Oberfläche kann sich erhitzen, wenn das Visionier elektromagnetischer Strahlung ausgesetzt wird
- Ersetzen des Visioniers bei Einwirkung von Chemikalien, Ölen und Lösungsmitteln
- Ersetzen des Visioniers bei mechanischer Belastung
- Nur mit Kinnschutz verwenden
- Nur Originalersatzteile verwenden
- Beachten Sie, dass eine ausreichende Arbeitsplatzbeleuchtung vorhanden ist
- Materialkontakt kann allergische Reaktionen bei empfindlichen Personen auslösen. Dann ist der Gefahrenbereich sofort zu verlassen, die PSA abzunehmen und ein Arzt aufzusuchen.
- Das am Helm montierte AFP-25 Störlichtbogenvisionier schützt vor Hochgeschwindigkeitspartikeln. Bei Benutzung von Standardkorrekturb Brillen unter der PSA kann ein Stoß übertragen werden. Das könnte eventuell den Nutzer gefährden.
- Für ein Visionier, welches der Gebrauchsart „8“ entspricht, sollte wenigstens die Filterskalierung „2-1.2“ zutreffen und die Scheibendicke mindestens 1,4 mm betragen.
- Bei einem Visionier, welches der Gebrauchsart „9“ entspricht, müssen der Visionierhalter und das Visionier zusätzlich mit F, B oder A gekennzeichnet sein.
- Wenn die Symbole auf Halter und Visionier unterschiedlich sind, trifft der niedrigere Wert auf das Schutzsystem zu
- Das am Helm montierte AFP-25 Störlichtbogenvisionier sollte als Bestandteil eines abgestimmten Komplettsystems mit Anzug und Handschuhen zur Anwendung kommen.
- Die Nichtbeachtung dieser Anweisungen kann zu einer dauerhaften Beeinträchtigung der Sehkraft oder anderen schweren Verletzungen führen.

STANDARDS/NORMEN

Das am Helm montierte AFP-25 Störlichtbogenvisionier ist zertifiziert gem. EN 166:2001, GS-ET-29:2011/05 und entspricht dem Annex II der Regulierung (EU) 2016/425. Übereinstimmung mit der UK Verordnung SI 2018 No. 390.

Es entspricht ANSI Z87.1. Weiterhin ist es gem. ASTM F2178:2008 mit einem ATPV von 25 cal/cm² getestet worden (PPE Level 2 gem. NFPA 70E:2015).

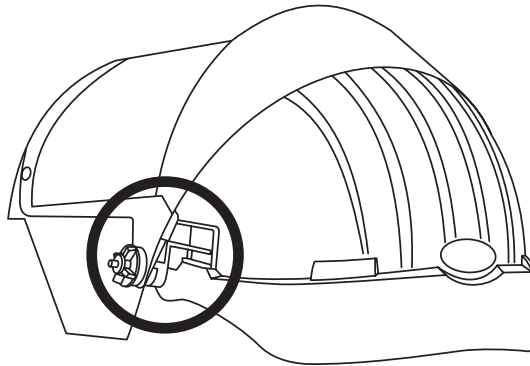
ANWENDUNGSBEREICH

- Der am Helm montierte Lichtbogen-Gesichtsschutz AFP-25 schützt zusammen mit zusätzlicher PSA, die für das zuvor festgelegte Schutzniveau geeignet ist, den qualifizierten Benutzer bei Arbeiten unter Spannung oder in der Nähe von unter Spannung stehenden Teilen.
- Der am Helm montierte Lichtbogen-Gesichtsschutz AFP-25 bietet nur bei bestimmungsgemäßer Verwendung Schutz für Augen und Gesicht.
- Verwenden Sie den am Helm montierten Lichtbogen-Gesichtsschutz AFP-25 nicht zum Lichtbogenschweißen. Darüber hinaus sollte der Gesichtsschutz nicht in Bereichen verwendet oder gelagert werden, in denen Lichtbogenschweißarbeiten durchgeführt werden.
- Vor der Durchführung der Arbeiten muss eine ordnungsgemäße Gefährdungsbeurteilung durch eine qualifizierte Person durchgeführt werden.

ANBRINGEN DES VISIERS AM HELM

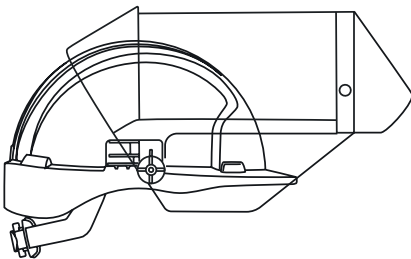
Der am Helm montierte Lichtbogen-Gesichtsschutz AFP-25 darf nur an einem nicht belüfteten JSP EVO®5-Industrieschutzhelm montiert werden, der für elektrischen Schutz auf dem maximal erwarteten Niveau zugelassen ist. Im Zweifelsfall wenden Sie sich an die technische Helpline von JSP.

Zur Montage des Visiers stecken Sie die Adapter in die universellen Befestigungsschlitze am Helm. Achten Sie auf ein Klickgeräusch, um sicherzustellen, dass der Adapter sicher sitzt.



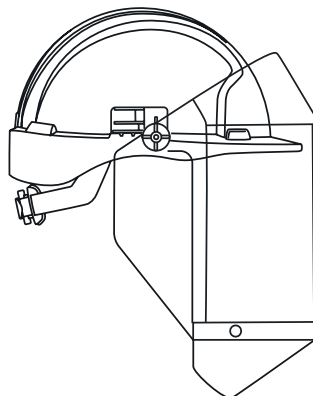
ANPASSEN DES VISIERS

Setzen Sie den Helm auf und passen Sie ihn an. Fassen Sie dann den Kinnschutz, um den Schild nach unten in die Einsatz-/Arbeitsposition zu ziehen.



Stellung 1:

AFP-25 Helmmontierter Lichtbogen-Gesichtsschutz in angehobener Stellung.



Stellung 2:

AFP-25 Helmmontierter Lichtbogen-Gesichtsschutz in die Einsatz-/Arbeitsposition.

VERWENDUNG

Überprüfen Sie vor der Verwendung stets die Komponenten der am Helm montierten Lichtbogen-Gesichtsschutz AFP-25. Passen Sie die Adapter manuell an, um eine sichere Befestigung zu gewährleisten. Ziehen Sie die Adapter nicht zu fest an, da dies dazu führen kann, dass der Gesichtsschutz nicht richtig angepasst und positioniert wird.

- Überprüfen Sie die Adapter regelmäßig auf Risse oder Beschädigungen. Stellen Sie vor jedem Gebrauch sicher, dass die Adapter in den Befestigungsschlitzen des Helms eingerastet sind.
- Überprüfen Sie die Befestigungsschlitze des EVO®-Helms und prüfen Sie, ob Risse vorhanden sind, durch die der Adapter herausrutschen könnte.
- Stellen Sie sicher, dass die unteren Kinnschutzbeschläge vor der Verwendung festgezogen sind.
- Fassen Sie den Gesichtsschutz am Kinnschutz an, um ihn anzupassen. Heben oder senken Sie das niemals mithilfe der Seitenschutzbleche.

Der am Helm montierte Lichtbogen-Gesichtsschutz AFP-25 kann nur dann Schutz bieten, wenn er in der Einsatz-/Arbeitsposition getragen wird. Bei Arbeiten an oder in der Nähe von stromführenden Teilen sollte der Gesichtsschutz nicht in angehobener Position getragen werden.

Der Gesichtsschutz wurde für die Verwendung mit EVO®5-Schutzhelmen entwickelt, getestet und zugelassen und bietet ein hohes Maß an Schutz, indem er das Visier nahe am Gesicht positioniert und gleichzeitig ausreichend Freiraum für komfortables Arbeiten bietet. Stellen Sie vor dem Betreten des Gefahrenbereichs sicher, dass keine Gesichtsteile die Innenfläche des Schildes berühren.

Die Umgebungstemperatur sollte von -10°C bis +45°C betragen.

Das am Helm montierte AFP-25 Störlichtbogenvisier hat die Störlichtbogenschutzklasse 2 und die VLT-Klasse 2 gem. GS-ET-29. Es bietet einen weit höheren Schutz als in der GS-ET-29 für die höchste Schutzklasse gefordert wird. Bei der Lichttransmission Klasse 2 nach GS-ET-29 kann eine zusätzliche Beleuchtung notwendig werden, um die Minimalhelligkeit von 30 Lux hinter dem Visier sicherzustellen. Die Helligkeit hinter dem Visier ist vor dem Gebrauch zu überprüfen.

ANMERKUNG: Bedingt durch die unterschiedlichen Arbeitsplatzbedingungen ist die Beleuchtung vor der Benutzung des Visiers zu prüfen. Künstliche Beleuchtung, insbesondere fluoreszierende oder LED-Beleuchtung in Verbindung mit dem Visier, kann die Farberkennung beeinflussen.

Um die korrekte Farberkennung sicherzustellen, empfehlen wir folgende Vorgehensweise mit der entsprechenden Arbeitsplatzbeleuchtung:

1. Sammeln von Kabelstücken mit der gleichen Kabelkennzeichnung, wie diese am Arbeitsplatz Verwendung finden;
2. Stellen Sie sicher, dass Sie sich in einer sicheren Umgebung bei einer Beleuchtung (Typ und Intensität) wie am Arbeitsplatz befinden;
3. Säubern Sie das Visier und überprüfen Sie es auf Schäden (Zögern Sie bei Beschädigung nicht, dieses zu ersetzen!);
4. Legen Sie das Schutzsystem entsprechend der Instruktionen an;
5. Sortieren Sie die Kabelstücke

Im Falle, dass Sie Unterscheidungsprobleme bei einigen Merkmalen haben oder die Sortierung Fehler zeigt, ist die Beleuchtung zu schlecht. In diesem Fall kann beim Arbeiten ein Unfall verursacht werden, u.U. einen Störlichtbogenunfall.

ANMERKUNG: Das am Helm montierte AFP-25 Störlichtbogenvisier ist für den Schutz der Augen und des Gesichts vor den mechanischen und thermischen Gefahren geschaffen. Jedoch kann es keine Korrekturbrillen oder andere PSA für Augen und Gesicht, wie z.B. Atemschutzmasken, welche zum hinreichenden Schutz entsprechend der Gefährdungsanalyse oder weiterer arbeitsplatzspezifischer Regulierungen benötigt werden, ersetzen. Die Abstimmung der einzelnen PSA-Bestandteile aufeinander ist sicherzustellen.

ANMERKUNG: Aufgrund nationaler Sicherheitsvorschriften und -vorgaben ist in einigen Ländern oder auch Firmen das Tragen von Sicherheitsbrillen unter dem Visier angeordnet oder verbindlich vorgeschrieben.

ANMERKUNG: Ein Störlichtbogen/elektrischer Fehlerstrom hoher Energie kann eine dauerhafte Schädigung der Sehkraft oder andere ernsthafte Verletzungen verursachen. Die PSA ist die letzte Schutzhürde, wenn alles andere versagt hat. Es ist deshalb zu erwägen, stärker schützende PSA einzusetzen als ursprünglich in der Gefährdungsanalyse gefordert, um im Falle des Auftretens höherer Energien als berechnet einen zusätzlichen Sicherheitspuffer zu schaffen. Jedoch sollten grundsätzlich keine AuS-Aktivitäten unter Bedingungen durchgeführt werden, bei welchen die Schutzwirkung von Klasse 2 Produkten nicht ausreicht. Das in diesem Dokument beschriebene am Helm montierte AFP-25 Störlichtbogenvisier ist ein Klasse 2 Produkt.

REINIGUNG

Reinigen und überprüfen Sie den am Helm montierten Lichtbogen-Gesichtsschutz AFP-25 vor und nach jedem Gebrauch. Zum Reinigen/Desinfizieren spülen Sie es mit einer 1 %igen Lösung eines milden Reinigungsmittels aus und trocknen Sie es mit einem weichen Tuch. **VERWENDEN SIE KEINE** Scheuermittel. Stellen Sie vor der Verwendung sicher, dass alle Komponenten korrekt wieder zusammengesetzt sind.

LAGERUNG

Bewahren Sie den am Helm montierten Lichtbogen-Gesichtsschutz AFP-25 in der mit dem Produkt gelieferten Schutzbox auf. (HINWEIS: Andere Verpackungsmaterialien können Lösungsmittel enthalten, die den Schutzgrad verringern können.) Bewahren Sie den am Helm montierten Lichtbogen-Gesichtsschutz AFP-25 in einer sauberen und trockenen Umgebung vor Sonnenlicht geschützt auf. Nicht bei Temperaturen unter -10 °C oder über 45 °C lagern. Setzen Sie den am Helm montierten Lichtbogen-Gesichtsschutz AFP-25 keinem Lichtbogenschweißvorgang aus.

WARTUNG, REPARATUR UND AUSTAUSCH

Stellen Sie sicher, dass die Flügelmutter fest angezogen bleiben, damit der Gesichtsschutz sicher verstaubt werden kann.

Der am Helm montierte Lichtbogen-Gesichtsschutz AFP-25 (einschließlich des fest angebrachten Kinnschutzes) muss ersetzt werden, wenn:

- es ist zerkratzt oder beschädigt,
- es einem Lichtbogen ausgesetzt war,
- es Chemikalien, Ölen oder Schmiermitteln* ausgesetzt war,
- es durch mechanische Einwirkung* beschädigt wird,
- es hat das Ende seiner Nutzungsdauer erreicht (siehe Abschnitt Inspektion und Nutzungsdauer)
- es großer Hitze oder zu viel Sonnenlicht ausgesetzt war*,
- es wurde Feuer* ausgesetzt.

* **AUFMERKSAMKEIT:** Der durch diese Vorfälle verursachte Schaden ist möglicherweise nicht sichtbar.

INSPEKTION UND NUTZUNGSDAUER

Überprüfen Sie den Gesichtsschutz regelmäßig und ersetzen Sie beschädigte oder abgenutzte Komponenten.

Unter normalen Umständen sollte der Gesichtsschutz 5 Jahre lang ausreichenden Schutz bieten.

Verwenden Sie den Gesichtsschutz nach einem Lichtbogenvorfall nicht wieder. Wenn der Gesichtsschutz einem Störlichtbogen ausgesetzt war oder einer der oben genannten Schäden ausgesetzt war, muss er ersetzt werden.

GEFAHRENBEURTEILUNG

Um einen geeigneten Augen- und Gesichtsschutz auszuwählen, muss eine Gefahren- und Risikobewertung durch autorisiertes Personal mit entsprechender Ausbildung und Qualifikation durchgeführt werden. Der Augen- und Gesichtsschutz darf niemals in Umgebungen mit einer höheren Risikoeinstufung als der auf der Kennzeichnung angegebenen Schutzeinstufung verwendet werden.

Der am Helm montierte Lichtbogen-Gesichtsschutz AFP-25 muss mit weiterer Lichtbogen-Schutz-PSA wie Helmen, Kleidungsstücken, Handschuhen und jeder anderen Ausrüstung kombiniert werden, die in der Gefahren- und Risikobewertung als angemessen erachtet wird.

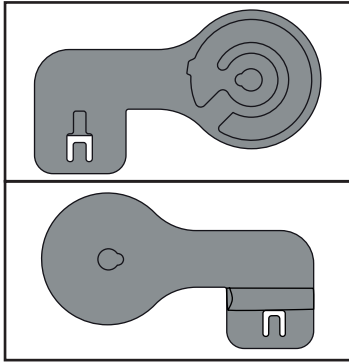
Unschlagmäßiger Gebrauch, beispielsweise bei höheren Lichtbogenbelastungen, kann zu schweren gesundheitlichen Schäden führen und das Leben des Benutzers gefährden.

RISIKO	RISIKOQUELLE	SICHERHEITSAKTOREN BEI DER AUSWAHL UND VERWENDUNG VON PSA
Allgemeine Aktionen	Per Kontakt: Feuer, Explosionen Verschleiß durch Gebrauch.	Schutz des Gesichts und von Teilen des Kopfes durch Helme, Sturmhauben, Hemden, Hosen, Handschuhe und Stiefel mit angemessener Schutzklasse Kratzfestigkeit
Thermische Gefahren durch Störlichtbögen	Versagen der Elektrik, Hitze vom Störlichtbogen, Flammen	Hitzeenergie vom Störlichtbogen, kleine Spritzer geschmolzenen Metalls (Kupfer, Eisen, Projektilen) vom Störlichtbogen
Sichteinschränkung	Unzureichende Erkennung	Gut sichtbare Zusätze an der Kleidung, Reflektoren, verbesserte Beleuchtung im Arbeitsbereich
Stöße mit hoher Geschwindigkeit	Stark beschleunigte Partikel	Auswahl des korrekten Visiers passend zur Energie der Partikel
Verbrennungen der Augen	UV-Strahlung	Auswahl des korrekten Filters für die zugehörige Nutzung. Nicht in die Lichtquelle blicken

GEWICHTSAUSGLEICHSSYSTEM (WBS)

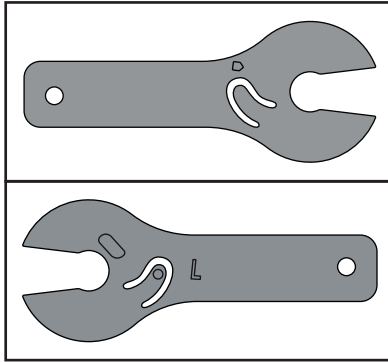
KOMPONENTEN

Das System besteht aus 6 Komponenten. 3 Teile bilden jede Seite (links und rechts).



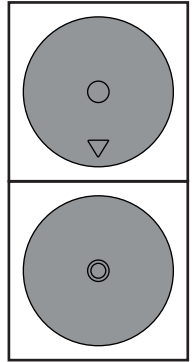
1. BASE

Passt nur in den rechten oder linken Helmschlitz. Der abgerundete Teil der Basis befindet sich an der Rückseite des Helms.



2. ARM

Die Arme sind mit R für rechts oder L für links gekennzeichnet.



3. DECKEL

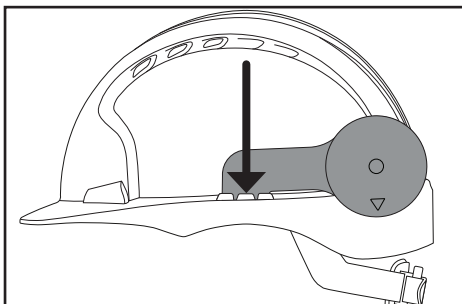
Die Abdeckung hat auf der Außenseite eine Dreiecksmarkierung.

MONTAGE DES WBS

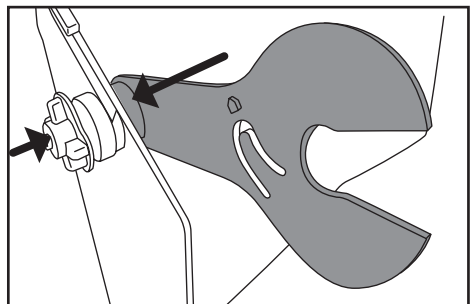
Das WBS wird montiert geliefert. Die dreieckige Markierung auf der Abdeckung befindet sich direkt über dem Kanal in der Basis, sodass der Arm zur Achse gleiten kann.

Das WBS wird mit den Schrauben, Muttern und Gummischeiben montiert, die mit dem Standard-Visiermontagesystem geliefert werden.

- 1) Montieren Sie den WBS-Arm an der Schraube. (Beachten Sie die Markierung „L“ oder „R“ auf dem Arm.)
- 2) Setzen Sie eine Gummischeibe auf die Schraube.
- 3) Bringen Sie den Gesichtsschutz an.
- 4) Fügen Sie die zweite Gummischeibe hinzu.
- 5) Fügen Sie die Mutter hinzu und drehen Sie sie fest, bis der Gesichtsschutz mit dem Arm in aufrechter Position befestigt ist. (Die Mutter kann gelöst werden, wenn Arbeiten mit angehobenem Gesichtsschutz durchgeführt werden können.)



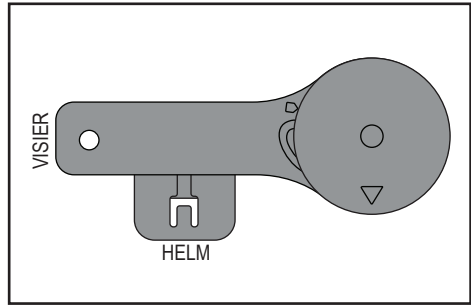
WBS am Helm montiert – Basis mit Abdeckung



WBS-Arm am Visier montiert - Schraube/Arm/
Gummischeibe/Visier/Gummischeibe/Mutter

Wenn der Gesichtsschutz und das WBS am Helm montiert sind, bewegen Sie den Gesichtsschutz in die Einsatz-/Arbeitsposition, um zu überprüfen, ob der Stirnschutz über der Vorderseite der EVO®-Helmschale positioniert ist. Heben Sie den Gesichtsschutz an, bis die Dreiecksmarkierung auf der WBS-Basis mit der Markierung auf dem WBS-Arm übereinstimmt. Dadurch kann der Arm zur Achse gleiten. Wenn der Gesichtsschutz befestigt ist, hören Sie ein Klickgeräusch.

Das WBS ist nun montiert und einsatzbereit.



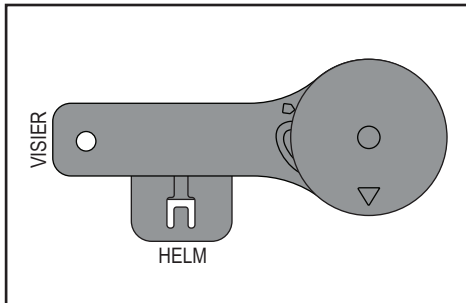
WBS-Arbeitsposition

VERWENDUNG DES WBS

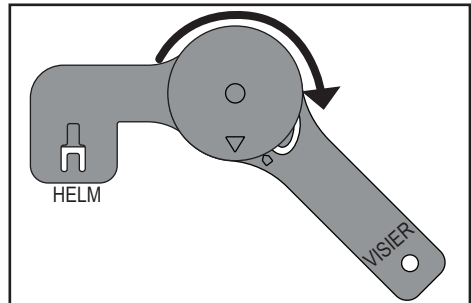
Einsatz-/Arbeitsposition: Gesichtsschutz vor dem Gesicht des Trägers abgesenkt und mit einem Klickgeräusch befestigt.

Verstaute Position: Der Gesichtsschutz liegt über der Helmkrone. Stellen Sie den Gesichtsschutz aufrecht, damit sich das WBS in die verstaute Position bewegen kann. Stellen Sie sicher, dass der WBS-Arm aufrecht steht, bevor Sie den Gesichtsschutz drehen. Sichern Sie den Helm mit einem Klickgeräusch. (**Optional:** Der Gesichtsschutz kann leicht in Richtung der Helmschale gedrückt werden, um das Profil weiter zu reduzieren.)

Üben Sie die Bedienung des Gesichtsschutzes und des WBS, bevor Sie den Gefahrenbereich betreten. Das System ist so konzipiert, dass es mit einer Hand angehoben und abgesenkt werden kann, um den Kinnschutz zu greifen.



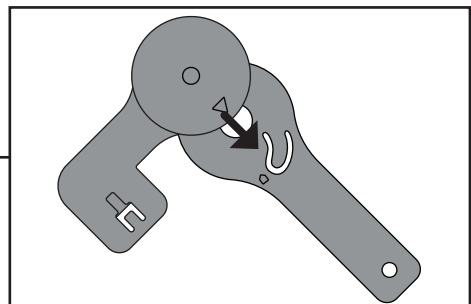
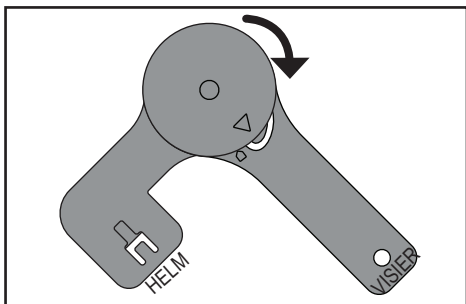
WBS-Arbeitsposition



WBS Verstaute Position






Es wird empfohlen, den Gesichtsschutz und das WBS am Helm befestigt zu lassen. Wiederholtes Anbringen und Entfernen des WBS und des Gesichtsschutzes kann die Helmbefestigungsschlitze beschädigen und eine ordnungsgemäße Montage verhindern.

Um den Gesichtsschutz zu entfernen, führen Sie den oben beschriebenen Montagevorgang in umgekehrter Reihenfolge durch.



WBS 2 Entriegelungspositionen (Beachten Sie die Markierungen auf Abdeckung und Arm)

MARKIERUNGEN

MARKIERUNG	BEDEUTUNG		
	Markenzeichen des Herstellers		CE-Zeichen mit ID Nummer des Prüfers (vorgeschrieben bei Kat. III Produkten gem. Annex II der PSA Regulierung 2016/425)
	Schutz gegen die thermische Wirkung des Störlichtbogens.		Siehe Gebrauchsanweisung. Sollte den Gebrauchsanweisungen nicht Folge geleistet werden, kann dies erheblichen Einfluss auf die Schutzwirkung des Gerätes haben.
	Herstellungs-Datumsrad: Das Herstellungsjahr ist in der Mitte angegeben, der Herstellungsmonat durch den Pfeil		
EN 166	Europäische Norm für Industrie-Schutzbrillen	Z87	Der American (ANSI) Norm für Industrie-Schutzbrillen
2 or 2C-#	Ultraviolettenschutzfilter (C=Schutzbrille weist verbesserte Farberkennung auf) (EN 170)		
1	Nummer für die optische Klasse, 1 ist hoch, 3 ist niedrig		
B	Mechanische Festigkeit bei Stoß mit mittlerer Energie		
8-2-2	Gemäß GS-ET-29: "8" = Widerstandsfähigkeit gegen Kurzschlusslichtbögen. "2" = Fehlerklasse 2 (423 kJ/m ² ~ 10,1 cal/cm ² ; Offener Boxtest). "2" = Durchlässigkeit für sichtbares Licht Klasse 2 (VLT < 50 %)		
K	EN 166 Oberflächenbeständigkeit gegen Beschädigung durch kleine Teilchen		

AFP-25 OP HELM GEMONTEERD ELEKTRISCH BOOGGELAATSSCHERM

EN166:2001 // EN170:2002 // GS-ET 29:2019. CAT III Product.

Een exemplaar van deze handleiding en de Conformiteitsverklaring voor het product vindt u op de product pagina: documents.jspssafety.com

INHOUD

Invoering	27
Algemene waarschuwingen	27
Standaarden	27
Toepassingsgebied	28
Het vizier op de helm monteren	28
Het vizier afstellen	28
Gebruik	29
Schoonmaak	30
Opslag	30
Onderhoud, reparatie en vervanging	30
Inspectie en gebruiksduur	30
Gevarenbeoordeling	30
Gebruikershandleiding voor het gewichtsbalanssysteem (WBS)	31
Markering	33

BELANGRIJK: Deze handleiding moet volledig worden gelezen. De gebruiker moet bekend zijn met en getraind zijn in het gebruik van het product alvorens het product in gebruik te nemen. Bewaar deze handleiding voor toekomstig gebruik.

INVOERING

Een elektrische boogflits is een foutstroom die wordt gegenereerd door een kortsluiting die door geïoniseerde lucht loopt. Een boogflitsincident zendt plasma, hoge niveaus van convectieve hitte en extreem hoge doses elektromagnetische straling uit (ultraviolette straling (UV), infraroodstraling (IR) en zichtbaar licht met hoge energie). De explosie van uitzettende hitte genereert giftige lucht, extreem geluid en een snel voortschrijdende drukgolf – vaak vergezeld van rondvliegend puin zoals fragmenten en gesmolten metaal.

Een vlamboogincident kan worden veroorzaakt door een systeemfout of een bedieningsfout in een elektrische omgeving met hoge stroomsterkte, ongeacht of er wordt gewerkt aan een laag-, midden- of hoogspanningssysteem.

Het AFP-25 op helm gemonteerd elektrisch booggelaatsscherm is een persoonlijk beschermingsmiddel (PBM) dat is ontworpen om de schadelijke effecten van een boogflitsincident (elektrische foutboog) op de ogen en het gezicht te verminderen, indien correct geselecteerd en gebruikt als onderdeel van een boogflits beschermend ensemble dat ook geschikte vlamboogbeschermende kleding en handschoenen omvat.

ALGEMENE WAARSCHUWINGEN

- Het AFP-25 op helm gemonteerd elektrisch booggelaatsscherm moet zijn neergelaten om bescherming te bieden.
- Stel het scherm niet overbodig bloot aan zonlicht
- Niet gebruiken om te lassen
- Niet gedurende langere tijd blootstellen aan openhaard of ander vuur
- Het oppervlak kan heet worden bij blootstelling aan elektromagnetische straling
- Vervang het scherm na blootstelling aan chemicaliën, oliën of smeermiddelen
- Vervang het scherm indien beschadigd door mechanische inslag
- Gebruik alleen in combinatie met de bijgeleverde kinbescherming
- Gebruik alleen originele vervangingsonderdelen
- Gebruik in een voldoende verlichtte werklocatie
- Materiaal dat de huid van de drager raakt kan bij gevoelige personen allergische reacties veroorzaken. Mocht dit het geval zijn, verlaat dan het gevarengedebied; verwijder de helm en het gelaatsscherm en zoek doktersadvies.
- Het AFP-25 op helm gemonteerd elektrisch booggelaatsscherm, beschermt tegen hoge snelheid deeltjes. Indien over een standaard bril gedragen, kunnen deze schokken veroorzaken en potentieel gevaar voor de drager veroorzaken.
- Om als gelaatsscherm binnen werkveld symbool 8 te voldoen, dient deze minimaal uitgerust te zijn met een 2-1,2 filter en een minimale dikte te hebben van 1,4mm.
- Om als gelaatsscherm binnen werkveld symbool 9 te voldoen, dienen beide onderdelen: het frame én het scherm gemarkeerd te zijn met zowel dit symbol als ook de symbolen F, B of A.
- Indien het symbool F, B en A zijn niet op zowel het vizier als het frame gemarkeerd zijn, dan zal het laagst aangegevene worden toegekend aan de volledige oog beschermer.
- Het AFP-25 op helm gemonteerd elektrisch booggelaatsscherm moet worden gebruikt als onderdeel van een vlamboog beschermingsset, waartoe ook geschikte vlamboog beschermende kleding en handschoenen behoren
- Het niet opvolgen van deze instructies kan leiden tot een blijvende beperking van het gezichtsvermogen of ander ernstig persoonlijk letsel.

STANDAARDEN

Het AFP-25 op helm gemonteerd elektrisch booggelaatsscherm is gecertificeerd volgens EN 166: 2001; GS-ET-29: 2011/05 en het voldoet aan bijlage II van de verordening (EU) 2016/425. Conform de UK wetgeving SI 2018 No. 390.

Het is ontworpen om te voldoen aan ANSI Z87.1. Bovendien is het het AFP-25 op helm gemonteerd elektrisch booggelaatsscherm getest volgens een ATPV van 25 cal / cm² volgens ASTM F2178: 2008 (PPE-niveau 2 volgens NFPA 70E: 2015).

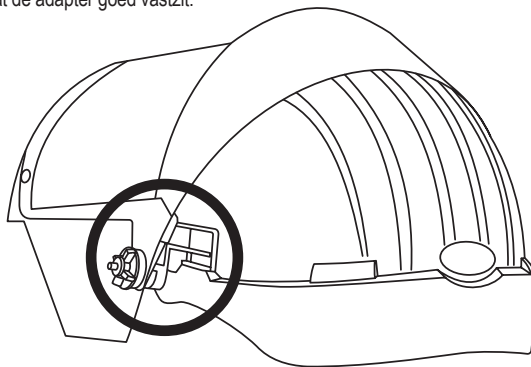
TOEPASSINGSGEBIED

- Het AFP-25 op helm gemonteerd elektrisch boogelaatsscherm, samen met aanvullende PBM's die geschikt zijn voor het hierboven bepaalde beschermingsniveau, beschermt de gekwalificeerde gebruiker tijdens werken onder spanning of in de buurt van delen onder spanning.
- Het AFP-25 op helm gemonteerd elektrisch boogelaatsscherm biedt alleen bescherming voor de ogen en het gezicht als het wordt gebruikt zoals bedoeld.
- Gebruik het AFP-25 op helm gemonteerd elektrisch boogelaatsscherm niet voor elektrisch booglassen. Bovendien mag het gelaatsscherm niet worden gebruikt of opgeslagen in ruimtes waar booglaswerkzaamheden worden uitgevoerd.
- Voordat de werkzaamheden worden uitgevoerd, moet er een goede risicobeoordeling worden uitgevoerd door een gekwalificeerd persoon.

HET VIZIER OP DE HELM MONTEREN

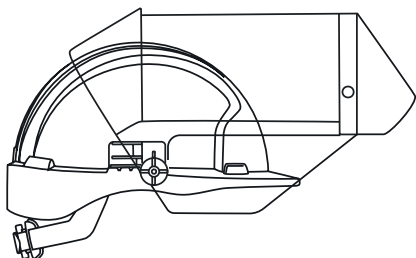
Het op een AFP-25 op helm gemonteerd elektrisch boogelaatsscherm mag alleen worden gemonteerd op een JSP EVO®5 industriële veiligheidshelm zonder ventilatieopeningen die is goedgekeurd voor elektrische bescherming op het maximaal verwachte niveau. Neem bij twijfel contact op met de technische hulplijn van JSP.

Om het vizier te monteren, steekt u de adapters in de universele bevestigingsgleuven op de helm. Luister of u een klinkgeluid hoort om er zeker van te zijn dat de adapter goed vastzit.



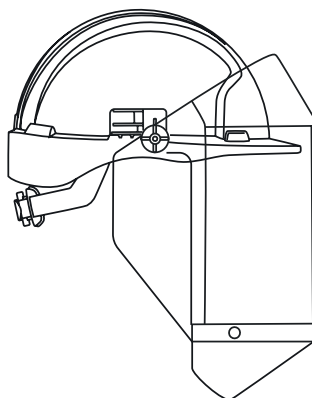
HET VIZIER AFSTELLEN

Plaats de helm en stel deze af, pak vervolgens de kinbeschermer vast om het schild naar beneden te trekken in de geactiveerde/werkpositie.



Positie 1:

AFP-25 op helm gemonteerd elektrisch boogelaatsscherm in verhoogde positie.



Positie 2:

AFP-25 op helm gemonteerd elektrisch boogelaatsscherm in de uitgezette/werkpositie.

Controleer vóór gebruik altijd de onderdelen van het AFP-25 op helm gemonteerd elektrisch booggelaatsscherm. Pas het montagemechanisme van het scherm (adapters) handmatig aan om ervoor te zorgen dat de knoppen stevig op hun plaats zitten, draai ze niet te vast, dan werkt het scherm niet correct.

- Inspecteer de montagestukken op scheuren of beschadiging. Zorg ervoor dat deze in de EVO® serie accessoiresleuven zijn vergrendeld.
- Controleer de EVO® serie accessoire sleuven op scheuren of oneffenheden waardoor de adapter zou kunnen wegglijden.
- Controleer voor gebruik of de moeren en bouten waarmee de onderste kinbeschermer is bevestigd, goed vastzitten.
- Hanteer het vizier uitsluitend bij het kinstuk, niet aan de zijkanten van het vizier.

Ondanks het feit dat het AFP-25 op helm gemonteerd elektrisch booggelaatsscherm in twee posities kan worden bevestigd bij werk met onder spanning staande delen of in de buurt daarvan (onder spanning werken), kan de beoogde bescherming alleen worden geboden als het vizier stevig is bevestigd en in neerwaartse positie toegepast wordt.

De beste bescherming wordt geboden indien gebruikt in combinatie met een industriële veiligheidshelm uit de serie EVO® serie, waardoor het vizier zeer dicht op het gezicht kan worden geplaatst. Zorg er echter voor dat het binnenste oppervlak van het vizier vrij staat van uw neus of andere delen van uw hoofd en gezicht. Voeg voor 360 ° bescherming een capuchon of bivakmuts toe. De bedrijfstemperatuur moet tussen -10 ° C en 45 ° C liggen.

Het AFP-25 op helm gemonteerd elektrisch booggelaatsscherm heeft vlamboog beschermingsklasse 2 en VLT klasse 2 volgens GS-ET-29. Het overtreft de specificatie van de hoogste vlamboogbeschermingsklasse volgens GS-ET-29 veruit. Voor een lichtdoorlaatbaarheid van VLT klasse 2 volgens GS-ET 29 wordt extra verlichting als verplichting gesteld tot er een minimaal verlichtingsniveau is bereikt van 30 lux achter het vizier. Gelieve het verlichtingsniveau achter het vizier te controleren alvorens het in gebruik te nemen.

OPMERKING: Als gevolg van uiteenlopende werkomstandigheden dient u te controleren of er extra verlichting nodig is wanneer u het scherm draagt. Kunstmatige verlichting, met name verlichting afkomstig van fluorescerende of LED-lampen kan in combinatie met de tint van het scherm uw kleurherkenningsvermogen beïnvloeden. Om er zeker van te zijn dat u kleuren voldoende herkent, raden wij u aan de volgende procedure op uw werkplek onder de plaatselijke verlichtingsomstandigheden door te voeren:

1. Verzamel stukjes kabel met kabelcodering van uw werkplek;
2. Zorg ervoor dat u zich in een veilige omgeving bevindt met een verlichting (type en intensiteit) zoals op uw werkplek;
3. Controleer uw oogbescherming op schade (aarzel niet om de oogbeschermer te vervangen indien nodig);
4. Zet de oogbeschermer op volgens de gebruiksinstructies;
5. Sorteert de kabelstukken in rap tempo.

Indien u tegen coderingsdifferentiatieproblemen oploopt of bij controle van het sorteersresultaat sorteert fouten opmerkt, is de verlichting op de werkvloer ontoereikend. Dit kan op het werk ongevallen veroorzaken.

OPMERKING: Het AFP-25 op helm gemonteerd elektrisch booggelaatsscherm is ontworpen om ogen en gezicht te beschermen tegen de mechanische en thermische gevaren van een vlamboog. Het is echter geen vervanging voor een bril of sterkte; persoonlijke beschermingsmiddelen voor ogen en gezicht; ademhalingsmaskers of andere persoonlijke beschermingsmiddelen die nodig zijn voor voldoende bescherming volgens de gevaren- en risicoanalyse en specifieke arbeidsveiligheidsvoorschriften op een bepaalde werkplek. Zorg ervoor dat PBM's die u gebruikt, goed en degelijk op en aan elkaar passen.

LET OP: Volgens de nationale veiligheid en regelgeving wordt in sommige landen of bedrijven het gebruik van een veiligheidsbril onder het vizier geadviseerd of verplicht.

OPMERKING: Een vlamboog met hoog invallende energie kan leiden tot permanente aantasting van het zicht of ander ernstig persoonlijk letsel. Persoonlijke beschermingsmiddelen moeten worden beschouwd als het laatste middel als al het andere faalt. Overweeg zwaardere beschermingsmiddelen als extra veiligheidsbuffer voor het geval een echt ongeval meer energie genereert dan oorspronkelijk berekend is in de risicoanalyse. Echter, werkomstandigheden die zwaardere bescherming nodig hebben dan Klasse 2 vlamboogbescherminsmiddelen zouden te allen tijde gemeden moeten worden. Het AFP-25 op helm gemonteerd elektrisch booggelaatsscherm beschreven in dit document is een klasse 2 product.

SCHOONMAAK

Reinig en inspecteer het AFP-25 op helm gemonteerd elektrisch booggelaatsscherm voor en na elk gebruik. Om te reinigen/desinfecteren, spoelt u het in een 1% oplossing van een mild reinigingsmiddel en droogt u het af met een zachte doek. GEBRUIK GEEN schurende schoonmaakmiddelen. Zorg ervoor dat alle componenten vóór gebruik weer correct in elkaar zijn gezet.

OPSLAG

Bewaar het AFP-25 op helm gemonteerd elektrisch booggelaatsscherm in de beschermende doos die bij het product is geleverd. (LET OP: Andere verpakkingsmaterialen kunnen oplosmiddelen bevatten die het beschermingsniveau kunnen verminderen.) Bewaar het AFP-25 op helm gemonteerd elektrisch booggelaatsscherm buiten zonlicht in een schone en droge omgeving. Niet bewaren bij temperaturen onder -10°C of boven 45°C. Stel het AFP-25 op helm gemonteerd elektrisch booggelaatsscherm niet bloot aan booglassen.

ONDERHOUD, REPARATIE EN VERVANGING

Zorg ervoor dat de vleugelmoeren goed vastzitten, zodat het gelaatsscherm veilig kan worden opgeborgen.

Het AFP-25 op helm gemonteerd elektrisch booggelaatsscherm (inclusief de permanent bevestigde kinbeschermer) moet worden vervangen als:

- Deze gekrast of beschadigd is
- Deze is blootgesteld aan een boogvlam
- Deze is blootgesteld aan chemicaliën, oliën of smeermiddelen *
- Deze is beschadigd door mechanische inslag*
- Deze zijn normale levensduur bereikt heeft (zie het hoofdstuk Inspectiecriteria en bepalen van bruikbaarheid)
- Deze is blootgesteld aan hoge hitte of te veel is blootgesteld aan zonlicht *
- Deze gedurende lange tijd aan vuur is blootgesteld *

* **LET OP:** Schade veroorzaakt door de bovengenoemde incidenten is mogelijk niet zichtbaar.

INSPECTIE EN GEBRUIKSDUUR

Inspecteer het gelaatsscherm regelmatig en vervang beschadigde of versleten onderdelen.

Onder normale omstandigheden zou het gelaatsscherm gedurende 5 jaar voldoende bescherming moeten bieden.

Gebruik het gelaatsscherm niet opnieuw na een vlamboogincident. Als het gelaatsscherm is blootgesteld aan een vlamboogincident of onderhevig is aan enige hierboven beschreven schade, moet het worden vervangen.

GEVARENBEOORDELING

Om de juiste oog- en gezichtsbescherming te selecteren, moet een gevaren- en risicobeoordeling worden uitgevoerd door bevoegd personeel met de relevante training en kwalificaties. De oog- en gelaatsbeschermer mag nooit worden gebruikt in omgevingen met een hogere risicoklasse dan de beschermingsklasse aangegeven op de markering.

Het AFP-25 op helm gemonteerd elektrisch booggelaatsscherm moet worden gecombineerd met andere beschermende PBM's tegen vlambogen, zoals helmen, kleding, handschoenen en andere uitrusting die passend wordt geacht in de gevaren- en risicobeoordeling.

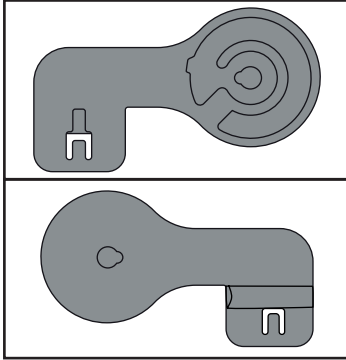
Onjuist gebruik, bijvoorbeeld bij hogere blootstelling aan vlambogen, kan ernstige schade aan de gezondheid veroorzaken en het leven van de gebruiker in gevaar brengen.

RISICO	BRON VAN RISICO	VEILIGHEIDSFACTOREN MET BETREKKING TOT KEUZE EN GEBRUIK VAN PBM'S
Algemene acties	Door contact: brand, explosies	Bescherming van gezicht en delen van het hoofd indien gedragen met gelijkwaardige helmen, bivakmuts, shirt, broek, handschoenen en laarzen
	Slijtage door gebruik.	Weerstand tegen krassen
Thermische gevaren veroorzaakt door elektrische vlamboog	Storing in elektrische apparatuur, hitte van een boogflits, open vlam	Niveau van hitte door een vlamboog, kleine spetters gesmolten metaal (koper, ijzer of geprojecteerd) door een vlamboog
Gebrek aan zicht	Onvoldoende perceptie	Goed zichtbare toevoegingen bevestigd op kleding, retroreflectie, meer verlichting in werkruimtes
Hoge snelheid inslag	Deeltjes die met hoge snelheid rondbewegen	Kies een gelaatsscherm passend bij de hoogst verwachte energie van mogelijke geprojecteerde deeltjes
Brandwonden op de ogen	UV straling	Selecteer een filter dat bij het gerelateerde gebruik past. Niet rechtstreeks in de lichtbron kijken.

GEWICHTSBALANSSYSTEEM (WBS)

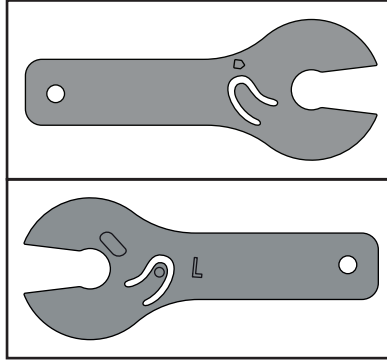
COMPONENTEN

Het systeem bestaat uit 6 componenten. Elke kant bestaat uit 3 delen (links en rechts).



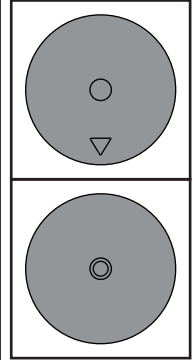
1. BASIS

Ontworpen om alleen in de rechter of linker helmgleuf te passen. Het afgeronde deel van de basis bevindt zich aan de achterkant van de helm.



2. ARM

De armen zijn gemarkeerd met R voor rechts of L voor links.



3. OMSLAG

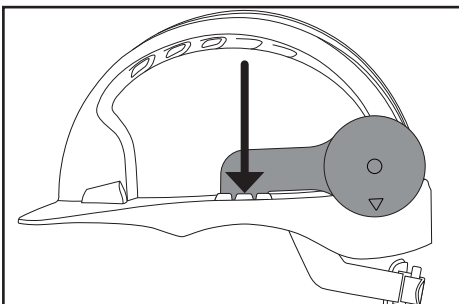
The omslag heeft aan de buitenkant een driehoek markering

MONTAGE VAN DE WBS

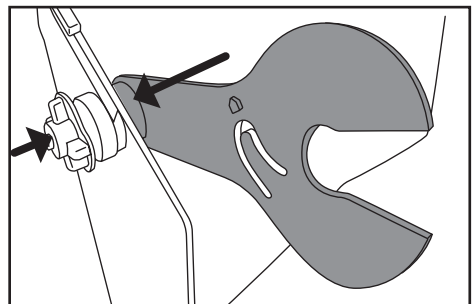
De WBS wordt gemonteerd geleverd. De driehoekige markering op het omslag bevindt zich direct boven het kanaal in de basis, waardoor de arm naar de as kan schuiven.

De WBS wordt gemonteerd met behulp van de schroeven, moeren en rubberen ringen die bij het standaard viziermontagesysteem worden geleverd.

- 1) Monteer de WBS-arm op de schroef. (Let op de 'L'- of 'R'-markering op de arm.)
- 2) Plaats een rubberen ring op de schroef.
- 3) Bevestig het gelaatsscherm.
- 4) Voeg de tweede rubberen ring toe.
- 5) Voeg de moer toe en draai hem vast totdat het gelaatsscherm vastzit met de arm rechtop. (De moer kan worden losgedraaid als er kan worden gewerkt met het gelaatsscherm omhoog.)



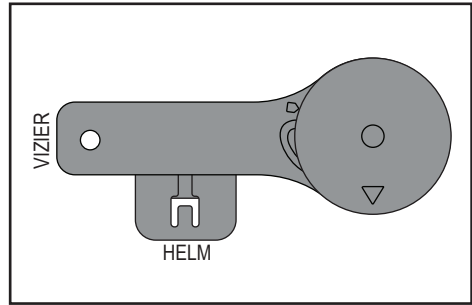
WBS gemonteerd op helm - Basis met omslag



WBS Arm gemonteerd aan het vizier - Schroef/ Arm/ Rubberen ring/ Vizier/ Rubberen ring/ Moer

Terwijl het gelaatsscheren en de WBS op de helm zijn gemonteerd, verplaatst u het gelaatsscheren naar de uitgezette/ werkpositie om te controleren of de voorhoofdbeschermmer over de voorkant van de EVO®-helmschaal is geplaatst. Til het gelaatsscheren op totdat de driehoekige markering op de WBS-basis op één lijn ligt met de markering op de WBS-arm. Hierdoor kan de arm naar de as glijden. Wanneer het gelaatsscheren is vastgezet, hoort u een klikgeluid.

De WBS is nu gemonteerd en klaar voor gebruik.



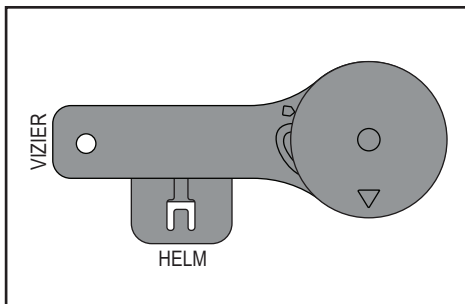
WBS Werkpositie

DE WBS GEBRUIKEN

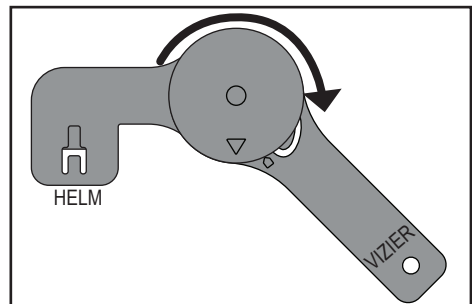
Ingezet/werkpositie: Gelaatsscheren neergelaten voor het gezicht van de drager, vastgezet met een klikgeluid.

Opgeborgen positie: Het gelaatsscheren is gebalanceerd over de kroon van de helm. Plaats het gelaatsscheren rechtop zodat de WBS naar de opbergpositie kan bewegen. Zorg ervoor dat de WBS-arm rechtop staat voordat u het gelaatsscheren draait. Zet de helm vast met een klikgeluid. (**Optioneel:** het gelaatsscheren kan voorzichtig naar de helmschaal worden gedrukt om het profiel verder te verminderen.)

Oefen met het bedienen van het gelaatsscheren en de WBS voordat u de gevarenszone betreedt. Het systeem is ontworpen om met één hand omhoog en omlaag te worden gebracht om de kinbeschermmer vast te pakken.



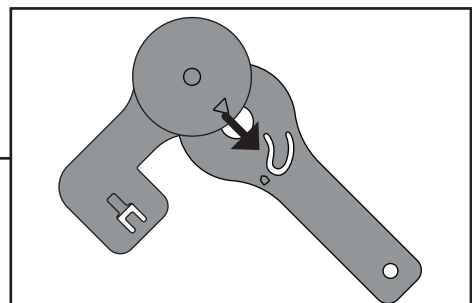
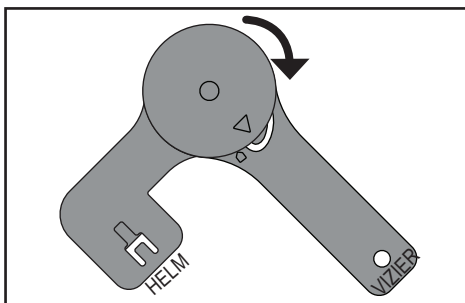
WBS Werkpositie



WBS Opgeborgen positie






Het wordt aanbevolen om het gelaatsscheren en de WBS aan de helm te laten zitten. Herhaaldelijk monteren en verwijderen van de WBS en het gelaatsscheren kan de bevestigingsgleuven van de helm beschadigen en een goede pasvorm verhinderen.

Om het gelaatsscheren te verwijderen, voert u het bovenstaande montageproces in omgekeerde volgorde uit.



WBS 2 vrijgave posities (let op de markeringen op omslag en arm)

MARKERING

MARKERING	BETEKENIS		
	Handelsmerk fabrikant		CE-markering met ID-nummer van aangemelde instantie (vereist voor Cat. III-producten volgens Bijlage II van de PBM-VERORDENING 2016/425)
	Bescherming tegen het thermische effect van de elektrische boog.		Zie gebruiksinstructies. Als de gebruiksinstructies niet worden gevolgd kan de bescherming die door het apparaat worden geboden ernstig worden belemmerd.
	Cirkel met productiedatum: productiejaar aangegeven in het midden, maand aangegeven met pijl.		
EN 166	De Europese norm voor industriële oogbescherming	Z87	De Amerikaanse (ANSI) norm voor industriële oogbescherming
2 or 2C#	Ultraviolefilter (C = goede kleurherkenning) en klassenr. (EN170)		
1	Nummer van de optische klasse, 1 is hoog, 3 is laag		
B	Bestand tegen middelhoge energie-inslag van hogesnelheidsdeeltjes		
8-2-2	In overeenstemming met GS-ET-29: "8" = Weerstand tegen kortsluiting door elektrische boog. "2" = Fout klasse 2 (423 kJ/m ² ~ 10,1 cal/cm ² , open-boxtest). "2" = Zichtbare lichtdoorlatendheid klasse 2 (VLT < 50%)		
K	EN166 bestand tegen oppervlakteschade door fijne deeltjes		

AFP-25 HJELMMONTERET ELEKTRISK LYSBUE ANSIGTSSKÆRM

EN166:2001 // EN170:2002 // GS-ET 29:2019. CAT III Product.

Der findes en kopi af denne vejledning og overensstemmelseserklæringen for produktet på produksiden:
documents.jspafety.com

INDHOLD

Introduktion	35
Generelle advarsler	35
Standarder	35
Anvendelsesområde	36
Montering af visiret på hjelmen	36
Justering af visiret	36
Brug	37
Rengøring	38
Opbevaring	38
Vedligeholdelse, reparation og udskiftning	38
Inspektion og brugstid	38
Farevurdering	38
Brugervejledning til vægtbalancesystemet	39
Markeringer	41

VIGTIGT: Brugsvejledningen skal læses i sin helhed, og brugeren skal være fortrolig med og uddannet i at bruge produktet, for produktet tages i brug. Denne vejledning skal opbevares til fremtidig brug.

INTRODUKTION

En elektrisk lysbue er en fejlstrøm, der genereres af en kortslutning, der bevæger sig gennem ioniseret luft. Et lysbueglimt udsender plasma, høje niveauer af konvektiv varme og ekstremt høje doser af elektromagnetisk stråling (ultraviolet stråling (UV), infrarød stråling (IR) og synligt lys med høj energi). Eksplosionen af ekspanderende varme genererer giftig luft, ekstrem støj og en hurtigt fremadskridende trykbølge - ofte ledsaget af flyvende affald såsom fragmenter og smeltet metal.

En lysbuehændelse kan være forårsaget af en systemfejl eller en håndteringsfejl i et højstrøms elektrisk miljø, uanset om arbejdet er på et lav-, mellem- eller højspændingssystem.

AFP-25 hjemmonteret elektrisk lysbue ansigtsskærm er et personligt beskyttelsesudstyr (PPE)-enhed designet til at reducere de skadelige virkninger af en lysbue (elektrisk fejlbug) på øjne og ansigt, når det vælges og bruges korrekt som en del af en lysbue. beskyttende ensemble, der også inkluderer egnet lysbuebeskyttende beklædning og handsker.

GENERELLE ADVARSLER

- AFP-25 hjemmonteret elektrisk lysbue ansigtsskærm yder kun beskyttelse, når det er i sænket position.
- Det må ikke udsættes for store mængder sollys
- Det må ikke bruges til svejsearbejde
- Det må ikke udsættes for åben ild i længere tid ad gangen
- Overfladen kan blive varm, når den udsættes for elektromagnetisk stråling
- Det skal udskiftes, hvis det har været i kontakt med kemikalier, olier eller smøremidler
- Det skal udskiftes, hvis det er beskadiget som følge af mekaniske slag
- Det skal altid bruges sammen med den monterede hagebeskytter
- Brug kun originale reservedele
- Sørg for, at arbejdsstedet er tilstrækkeligt oplyst
- Materiale, der kommer i kontakt med brugerens hud, kan forårsage allergiske reaktioner hos modtagelige personer. Hvis det sker, skal du forlade fareområdet, tage hjelmen og visiret af, og søge læge.
- AFP-25 hjemmonteret elektrisk lysbue ansigtsskærm beskytter mod partikler med høj hastighed. Ved brug over almindelige briller kan det overføre slag, som kan udgøre en fare for brugeren.
- For at et visir kan overholde symbol 8 for anvendelsesområde, skal der monteres et filter i forholdet mindst 2-1,2 med en tykkelse på minimum 1,4 mm.
- For at et øjenværn kan overholde symbol 9 for anvendelsesområde, skal både stel og okular være mærket med symbolerne sammen med et af symbolerne F, B eller A.
- Hvis symbolet F, B og A ikke er angivet på både okularer og stel, skal hele øjenværnet tildeles den laveste mærkning.
- AFP-25 hjemmonteret elektrisk lysbue ansigtsskærm skal bruges som et af flere væmemidler mod lysbuer, der også omfatter beskyttelsesbeklædning og handsker, som er egnede til beskyttelse mod lysbuer
- Manglende overholdelse af disse instruktioner kan resultere i permanent svækkelse af synet eller anden alvorlig personskade.

STANDARDER

AFP-25 hjemmonteret elektrisk lysbue ansigtsskærm er certificeret iht. EN 166:2001, GS-ET-29:2011/05 og overholder Bilag II i forordning (EU) 2016/425. I overensstemmelse med UK-lovgivningen SI 2018 No. 390

Det er designet til at opfylde ANSI Z87.1. Desuden er AFP-25 hjemmonteret elektrisk lysbue ansigtsskærm testet til en ATPV på 25 cal/cm² iht. ASTM F2178:2008 (PPE-niveau 2 iht. NFPA 70E:2015).

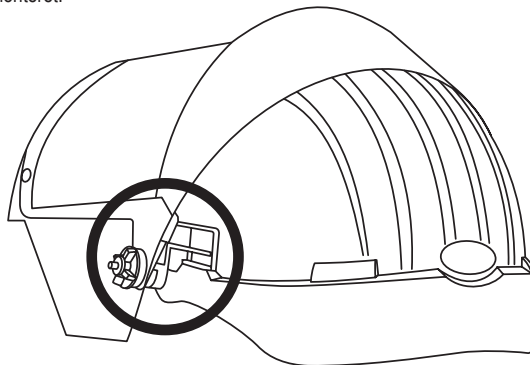
ANVENDELSESOMRÅDE

- AFP-25 hjelmmonteret elektrisk lysbue ansigtsskærm sammen med yderligere PPE, der er passende til det fornævnte beskyttelsesniveau, beskytter den kvalificerede bruger under spændingsførende arbejde eller i nærheden af strømførende dele.
- AFP-25 hjelmmonteret elektrisk lysbue ansigtsskærm giver kun beskyttelse til øjne og ansigt, hvis det bruges efter hensigten.
- Brug ikke AFP-25 hjelmmonteret elektrisk lysbue ansigtsskærm til elektrisk lysbuesvejsning. Derudover bør ansigtsskærmen ikke bruges eller opbevares i områder, hvor der udføres lysbuesvejsning.
- En korrekt risikovurdering skal udføres af en kvalificeret person inden arbejdet udføres.

MONTERING AF VISIRET PÅ HJELMEN

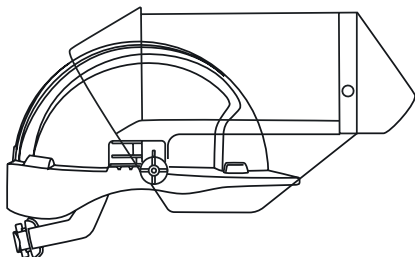
AFP-25 hjelmmonteret elektrisk lysbue ansigtsskærm må kun monteres på en JSP EVO®5 uventet industriel sikkerhedshjelm, der er godkendt til elektrisk beskyttelse på det maksimale forventede niveau. I tilfælde af tvivl, kontakt JSP Teknisk Helpline.

For at montere visiret skal du indsætte adapterne i de universelle fastgørelsesåbninger på hjelmen. Lyt efter en kliklyd for at sikre, at adapteren er sikkert monteret.

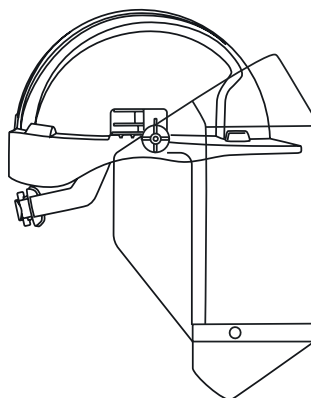


JUSTERING AF VISIRET

Monter og juster hjelmen, og tag derefter fat i hagebeskytteren for at trække skjoldet ned i udfoldet/arbejdsstilling.



Stilling 1:
AFP-25 hjelmmonteret elektrisk lysbue ansigtsskærm
i hævet stilling.



Stilling 2:
AFP-25 hjelmmonteret elektrisk lysbue ansigtsskærm
i udsendt/arbejdsstilling.

Monteringsdelene på AFP-25 hjemmonteret elektrisk lysbue ansigtsskærm skal altid kontrolleres før brug. Visirets monteringsmekanisme (adaptere) skal justeres manuelt for at sikre, at grebene sidder korrekt. Undgå at overspænde dem, da visiret så ikke kan fungere korrekt.

- Efterse adapterne for revner eller skader, kontrollér at adapterne er låst fast i tilbehørsåbningerne på EVO® serie.
- Kontrollér tilbehørsåbningerne på EVO® serie, og efterse dem for revner, der kan medføre, at adapteren kan glide ud.
- Kontrollér, at møtrikker og bolte, der fastholder en eventuel hagebeskytter (dobbelkappe) er spændt, før visiret bruges.
- Hold altid i visirets hagebeskytter. Visiret må aldrig holdes eller betjenes ved at holde i forlængerne på siden af visiret.

Selvom AFP-25 hjemmonteret elektrisk lysbue ansigtsskærm kan fastgøres i to positioner, kan den tilsigtede beskyttelse under arbejde med eller i nærheden af strømførende dele (arbejde på strømførende installationer) kun opnås, når visiret er sikkert fastgjort og i sænket position.

Den bedste beskyttelse opnås ved brug med en EVO® serie Range industrisikkerhedshjelm, som gør det muligt at placere visiret meget tæt på ansigtet. Du skal dog sikre, at din næse eller andre dele af dit hoved og ansigt ikke berører visirets indvendige overflade. For at få 360° beskyttelse kan du bruge en hætte eller en elefanthue. Driftstemperaturen skal være mellem -10°C og 45°C.

AFP-25 hjemmonteret elektrisk lysbue ansigtsskærm er i buebeskyttelsesklasse 2 og er et produkt i VLT-klasse 2 iht. GS-ET-29. Den overstiger langt specifikationen for den højeste buebeskyttelsesklasse iht. GS-ET-29. For at opnå en lystransmittans i VLT-klasse 2 iht. GS-ET-29 kræves normalt yderligere belysning for at sikre et lysniveau på mindst 30 lux bag visiret. Lysniveauet bag visiret skal kontrolleres, før visiret tages i brug.

BEMÆRK: På grund af forskellige betingelser på arbejdsstedet skal det kontrolleres, om der er behov for yderligere belysning, når visiret anvendes. Kunstig belysning, især fluorescerende lys eller LED-pærer kombineret med visirets farvetone, kan påvirke dine evner til at genkende farver. For at sikre, at du kan genkende farver på en sikker måde, anbefaler vi, at følgende procedure udføres på arbejdsstedet under de lokale belysningsforhold:

1. Find kabelstykker med den kabelkodning, der bruges på arbejdsstedet.
2. Gå til et sikkert sted med den samme belysning (type og lysstyrke), som der er på dit arbejdssted.
3. Rengør øjenværnet, og efterse det for skader (du skal straks udskifte dit øjenværn, hvis det er nødvendigt).
4. Tag øjenværnet på som beskrevet i brugsanvisningen.
5. Sortér kabelstykkerne hurtigt.

Hvis du får problemer med koderne, eller der findes fejl under kontrollen af sorteringen, er belysningen for dårlig. Det kan medføre en ulykke under arbejdet, f.eks. pga. en lysbue.

BEMÆRK: AFP-25 hjemmonteret elektrisk lysbue ansigtsskærm er designet til at beskytte øjne og ansigt mod mekaniske og varmerelaterede farer som følge af en lysbue. Det erstatter dog ikke briller med styrke, andre typer øjenværn og personlige værnemidler, luftforsynede åndedrætsværn eller yderligere personlige værnemidler, der yder tilstrækkelig beskyttelse afhængig af faren og risikovurderingen og især arbejdsmiljøreglerne på den pågældende arbejdsplads. Sørg for, at de benyttede personlige værnemidler er kompatible med hinanden.

BEMÆRK: I henhold til nationale sikkerhedsregler og -politikker i visse lande eller virksomheder anbefales det at bruge sikkerhedsbriller under visiret, og det kan være obligatorisk.

BEMÆRK: En lysbue/elektrisk fejl bue med høj indfaldende energi kan forårsage permanente synsskader eller andre alvorlige personskader. Personlige værnemidler skal anses som den sidste barriere, hvis alt andet slår fejl. Det skal overvejes at anvende udstyr med højere beskyttelse for at opnå ekstra sikkerhedsbuffer i tilfælde af, at en alvorlig ulykke genererer mere energi, end der oprindeligt er regnet med i fare- og risikovurderingen. Der bør dog ikke arbejdes med strømførende installationer under betingelser, som ikke kan beskyttes af produkter i buebeskyttelsesklasse 2. Det AFP-25 hjemmonteret elektrisk lysbue ansigtsskærm, der er beskrevet i dette dokument, er et klasse 2-produkt.

RENGØRING

Rengør og inspicér AFP-25 hjemmonteret elektrisk lysbue ansigtsskærm før og efter hver brug. For at rengøre/desinficere skal du skylle i 1 % opløsning af mildt rengøringsmiddel og tørre med en blød klud. BRUG IKKE slibende rengøringsmidler. Sørg for, at alle komponenter er korrekt samlet igen før brug.

OPBEVARING

Opbevar AFP-25 hjemmonteret elektrisk lysbue ansigtsskærm i den beskyttende æske, der følger med produktet. (BEMÆRK: Andre emballagematerialer kan indeholde opløsningsmidler, som kan reducere beskyttelsesniveauet.) Opbevar AFP-25 hjemmonteret lysbue-ansigtsskærm væk fra sollys i et rent og tørt miljø. Må ikke opbevares ved temperaturer under -10°C eller over 45°C. Udsæt ikke AFP-25 hjemmonteret lysbueafskærmning for nogen buesvejsning.

VEDLIGEHOLDELSE, REPARATION OG UDSKIFTNING

Sørg for, at vingemøtrikker forbliver stramme, så ansigtsskærmen kan opbevares sikkert.

AFP-25 hjemmonteret elektrisk lysbue ansigtsskærm (inkl. den permanent monterede hagebeskytter) skal udskiftes hvis:

- det er ridset eller beskadiget
- det har været udsat for en lysbue
- det har været udsat for kemikalier, olier eller smøremidler *
- det er beskadiget som følge af et mekanisk slag *
- den forventede levetid er nået (se afsnittet Inspektionskriterier og fastsættelse af endt levetid)
- det har været udsat for høj varme eller for store mængder sollys *
- det har været udsat for åben ild i længere tid *

* **VIGTIGT:** Skader forårsaget af ovenstående hændelser er ikke nødvendigvis synlige.

INSPEKTION OG BRUGSTID

Efterse ansigtsskærmen regelmæssigt og udskift eventuelle beskadigede eller slidte komponenter.

Under normale omstændigheder skal ansigtsskærmen give tilstrækkelig beskyttelse i 5 år.

Genbrug ikke ansigtsskærmen efter en lysbuehændelse. Hvis ansigtsskærmen har været udsat for en lysbuehændelse eller udsat for skader beskrevet ovenfor, skal den udskiftes.

FAREVURDERING

For at vælge passende øjen- og ansigtsbeskyttelse skal der udføres en fare- og risikovurdering af autoriseret personale med relevant uddannelse og kvalifikationer. Øjen- og ansigtsbeskytteren må aldrig bruges i miljøer med en højere risikovurdering end den beskyttelsesgrad, der er angivet på mærkningen.

AFP-25 hjemmonteret elektrisk lysbue ansigtsskærm kombineres med yderligere lysbuebeskyttende PPE såsom hjelme, beklædningsgenstande, handsker og andet udstyr, der anses for passende i fare- og risikovurderingen.

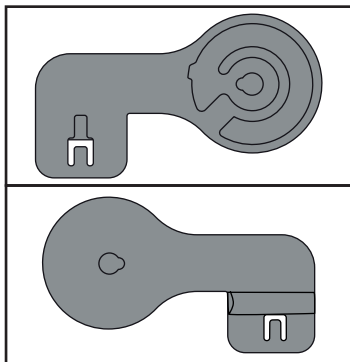
Uhensigtsmæssig brug, for eksempel ved højere lysbueeksponeringer, kan forårsage alvorlig helbredsskade og bringe brugerens liv i fare.

RISIKO	KILDE TIL RISIKO	SIKKERHEDSFAKTORER I FORBINDELSE MED VALG OG BRUG AF PPE
Generelle handlinger	Ved kontakt: Ild, Eksplosioner	Beskytter ansigtet og dele af hovedet ved brug med hjelm, elefanthue, trøje, bukser, handsker og støvler med samme klassificering
	Slitage pga. brug.	Ridsefast
Varmerelaterede farer genereret af en elektrisk lysbue	Fejl i elektrisk udstyr, varme fra lysbuer, åben ild	Varmeeksponeringsniveau fra lysbuer, mindre sprøjt med flydende metal (kobber, jern eller projiceret) fra en lysbue
Manglende sigtbarhed	Utilstrækkelig opmærksomhed	Refleksmarkeringer på tøj, retrorefleksion, øget belysning i arbejdsområder
Slag ved høj hastighed	Partikler, der projiceres med høj hastighed	Vælg det korrekte visir efter energien på de mulige projicerede partikler
Forbrændinger i øjnene	UV-stråling	Vælg det korrekte filter til den pågældende brug. Se ikke direkte på lyskilden

VÆGTBALANCESYSTEM (WBS)

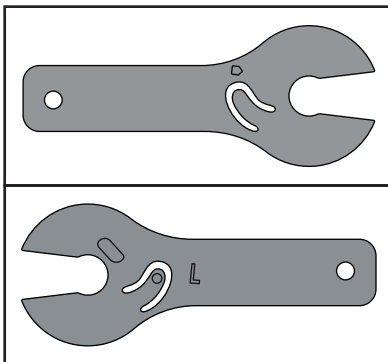
KOMPONENTER

Systemet består af 6 komponenter. 3 dele udgør hver side (venstre og højre).



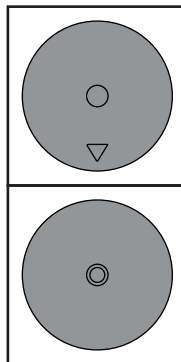
1. BASE

Designet til kun at passe til højre eller venstre hjelmåbning. Den afrundede del af basen er placeret bag på hjelmen.



2. ARM

Armene er mærket R for højre eller L for venstre.



3. DÆKSEL

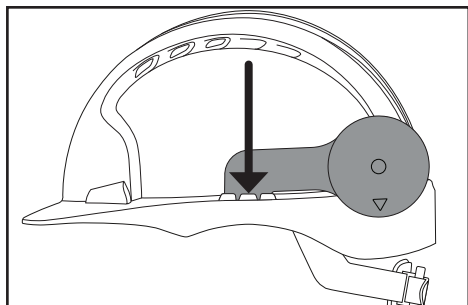
Betrækket har en trekant markering på ydersiden.

MONTERING AF WBS

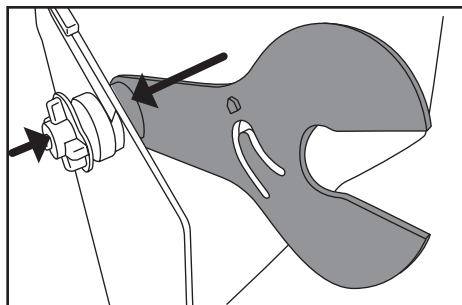
WBS'en leveres samlet. Trekantmarkeringen på dækslet er placeret direkte over kanalen i bunden, så armen kan glide til aksle.

WBS monteres ved hjælp af skruer, møtrikker og gummiskiver, der følger med standard visirmonteringsystem.

- 1) Monter WBS-armen på skruen. (Bemærk 'L' eller 'R'-mærket på armen.)
- 2) Sæt en gummiskive på skruen.
- 3) Sæt ansigtsskærmen på.
- 4) Tilføj den anden gummiskive.
- 5) Tilføj møtrikken og drej for at stramme, indtil ansigtsskærmen er fastgjort med armen i oprejst position. (Møtrikken kan løsnes, hvis der kan arbejdes med ansigtsskærmen i hævet position.)



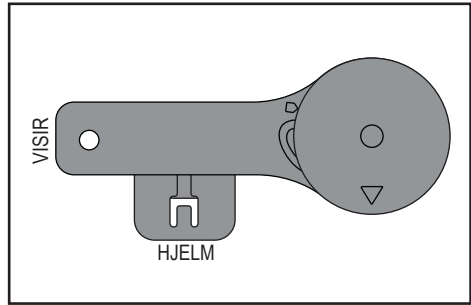
WBS-system monteret på hjelm - base med dæksel



WBS-arm monteret på visir - skrue/arm/gummiskive/visir/gummiskive/møtrik

Med ansigtsskærmen og WBS monteret på hjelmen skal du flytte ansigtsskærmen til den udfoldede/arbejdsposition for at kontrollere, at pandebeskyttelsen er placeret over forsiden af EVO®-hjelmskallen. Løft ansigtsskærmen, indtil trekantmærkingen på WBS-basen flugter med mærkingen på WBS-armen. Dette gør det muligt for armen at glide til akslen. Når ansigtsskærmen er fastgjort, vil du høre en kliklyd.

WBS er nu monteret og klar til brug.



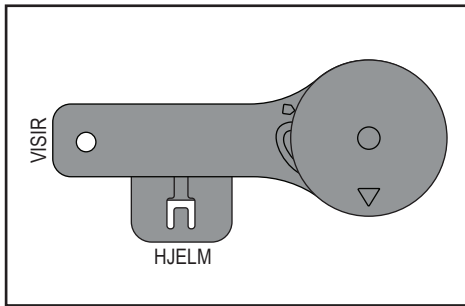
WBS Arbejdsstilling

BRUG AF WBS

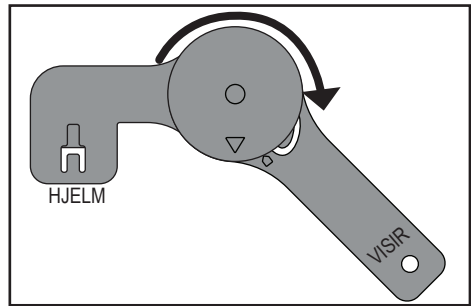
Udfoldet/arbejdsstilling: Ansigtsskærm sænket foran brugerens ansigt, sikret på plads med en kliklyd.

Stuvet position: Ansigtsskærmen er balanceret over hjelmens krone. Placer ansigtsskærmen oprejst, så WBS'en kan bevæge sig til den opbevarede position. Sørg for, at WBS-armen er placeret oprejst, før du drejer ansigtsskærmen. Fastgør hjelmen med kliklyd. (**Valgfrit:** Ansigtsskærmen kan forsigtigt presses mod hjelmskallen for at reducere profilen yderligere.)

Øv dig i at betjene ansigtsskærmen og WBS, før du går ind i fareområdet. Systemet er designet til at blive løftet og sænket med en hånd til at gribe om hagebeskytteren.



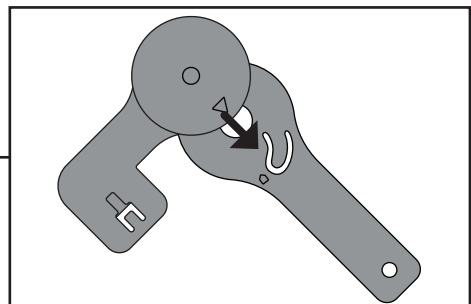
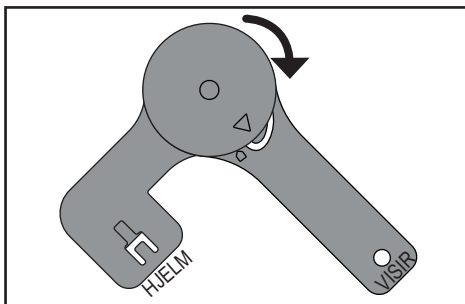
WBS Arbejdsstilling



WBS Stuvet stilling






Det anbefales at holde ansigtsskærmen og WBS fastgjort til hjelmen. Gentagen montering og fjernelse af WBS og ansigtsskærmen kan beskadige hjelmfastgørelsesåbningerne og forhindre korrekt montering.

For at fjerne ansigtsskærmen, vend monteringsprocessen ovenfor.



WBS 2 udløserpositioner (Se mærkerne på låget og armen)

MARKERINGER

MARKE	BETYDER		
	Producentens varemærke		CE-mærke med id-nummer på bemyndiget organ (påkrævet for Kat. III-produkter iht. Bilag II i FORORDNINGEN OM PERSONLIGE VÆRNEMIDLER 2016/425)
	Beskyttelse mod den elektriske lysbues termiske effekt.		Se brugsanvisningen. Hvis anbefalingerne i brugsanvisningen ikke overholdes, kan enhedens beskyttelsesniveau være væsentligt forringet.
	Hjul med fremstillingsdato: Fremstillingsdatoen er angivet i midten, måneden er angivet med pilen		
EN 166	Den Europæiske standard for øjenbeskyttelse til brug i industrien	Z87	Den Amerikanske standard (ANSI) for øjenbeskyttelse i industrien
2 or 2C-#	Ultraviolet filter (C = god farvegenkendelse) og klassenr. (EN170)		
1	Tal, der angiver optikklassen, 1 er høj, 3 er lav		
B	Tåler stød med middelhøj energi fra partikler med høj hastighed		
8-2-2	I overensstemmelse med GS-ET-29: "8" = Modstand mod kortslutning i elektrisk lysbue. "2" = Fejlklasse 2 (423 kJ/m ² ~ 10,1 cal/cm ² , Åbn bokstest). "2" = Synligt lystransmittans klasse 2 (VLT < 50 %)		
K	Modstår overfladiske skader fra fine partikler iht. EN166		

AFP-25 HJELMMONTERT ELEKTRISK LYSBUE-ANSIKTSSKJERM

EN166:2001 // EN170:2002 // GS-ET 29:2019. CAT III Product.

En kopi av denne bruksanvisningen og produktets samsvarserklæring finnes på produktsiden: documents.jspsafety.com

CONTENTS

Introduksjon	43
Generelle advarsler	43
Standarder	43
Anvendelsesfelt	44
Montering av visiret til hjelmen	44
Justering av visiret	44
Bruk	45
Rengjøring	46
Oppbevaring	46
Vedlikehold, reparasjon og utskifting	46
Inspeksjon og brukstid	46
Farevurdering	46
Brukerhåndbok for vektbalansesystemet (WBS)	47
Markeringer	49

VIKTIG: Denne bruksanvisningen må leses i sin helhet. Brukeren bør være kjent med og opplært i bruken av produktet før produktet brukes. Ta vare på bruksanvisningen slik at du kan slå opp i den senere.

INTRODUKSJON

En elektrisk lysbue er en feilstrøm generert av en kortslutning som går gjennom ionisert luft. En lysbuehendelse sender ut plasma, høye nivåer av konvektiv varme og ekstremt høye doser av elektromagnetisk stråling (ultrafiolett stråling (UV), infrarød stråling (IR) og høyenergi synlig lys). Eksplosjonen av ekspanderende varme genererer giftig luft, ekstrem støy og en raskt fremadskridende trykkbølge – ofte ledsaget av flyvende rusk som fragmenter og smeltet metall.

En lysbuehendelse kan være forårsaket av en systemfeil eller en håndteringsfeil i et høyrøms elektrisk miljø, uavhengig av om arbeidet som utføres er på et lav-, mellom- eller høyspenningssystem.

AFP-25 hjelmmontert elektrisk lysbue-ansiktsskjerm er en personlig verneutstyr (PPE)-enhet designet for å redusere de skadelige effektene av en lysbue (elektrisk feilbue) på øynene og ansiktet når den velges og brukes riktig som en del av en lysbue. beskyttende ensemble som også inkluderer egnede lysbuebeskyttende klær og hansker.

GENERELLE ADVARSLER

- AFP-25 hjelmmontert elektrisk lysbue-ansiktsskjerm må være i senket posisjon for å gi beskyttelse.
- Ikke utsett for sollys
- Ikke bruk til sveising
- Ikke utsett for åpen ild over lengre tid
- Overflaten kan bli varm når utsatt for elektromagnetisk stråling
- Bytt ut når eksponert for kjemikalier, olje eller smøremidler
- Bytt ut ved skade som følge av mekanisk slag
- Bruk bare som pakke med hakevernet tilkoblet
- Bruk bare originale reservedeler
- Påse at arbeidsstedet ditt er tilstrekkelig opplyst
- Materiale som kan komme i kontakt med brukerens hud kan medføre allergiske reaksjoner for utsatte individer. Forlat i så fall området der faren foreligger, ta av hjelmen og ansiktsskjoldet og oppsøk lege.
- AFP-25 hjelmmontert elektrisk lysbue-ansiktsskjerm beskytter mot høyhastighetspartikler. Når brukt over standard oftalmiske briller, kan de overføre støt og dermed avgi fare for brukeren.
- For at et ansiktsskjold skal være i samsvar med bruksområdesymbol 8, må det utstyres med et skalafilternummer, minst 2-1,2 og ha en minimumstykkelse på 1,4 mm.
- For at en øyebeskytter skal være i samsvar med bruksområdesymbol 9, må både innfatning og linse være merket med symbolene sammen med ett av symbolene F, B eller A.
- Hvis symbolet F, B og A ikke er felles for begge linser og innfatningen, er det det laveste som skal tildeles hele øyebeskyttelsen.
- AFP-25 hjelmmontert elektrisk lysbue-ansiktsskjerm skal brukes som en del av en lysbuebeskyttende enhet som også inkluderer egnet lysbuebeskyttende klær og hansker
- Unnlattelse av å følge disse instruksjonene kan føre til permanent svekkelse av synet eller annen alvorlig personskaade.

STANDARDE

AFP-25 hjelmmontert elektrisk lysbue-ansiktsskjerm er sertifisert i henhold til EN 166:2001, GS-ET-29:2011/05 og samsvarer med Vedlegg II i forskriften (EU) 2016/425. I samsvar med UK lovgivning SI 2018 No. 390.

Det er designet til å oppfylle ANSI Z87.1. Videre er AFP-25 hjelmmontert elektrisk lysbue-ansiktsskjerm testet til en ATPV på 25 cal/cm² i henhold til ASTM F2178:2008 (PPE Nivå 2 i henhold til NFPA 70E:2015).

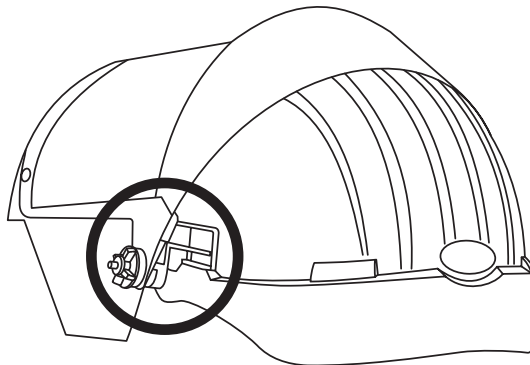
ANVENDELSESFELT

- AFP-25 hjelmontert elektrisk lysbue-ansiktsskjerm sammen med ekstra PPE som er passende for det ovenfor bestemte beskyttelsesnivået, beskytter den kvalifiserte brukeren under strømførende arbeid eller når de er i nærheten av strømførende deler.
- AFP-25 hjelmontert elektrisk lysbue-ansiktsskjerm gir beskyttelse til øyne og ansikt kun hvis det brukes etter hensikten.
- Ikke bruk AFP-25 hjelmontert elektrisk lysbue-ansiktsskjerm for elektrisk lysbuesveising. I tillegg bør ikke ansiktsskjermen brukes eller oppbevares i områder hvor det utføres lysbuesveising.
- En forsvarlig risikovurdering må utføres av en kvalifisert person før arbeidet utføres.

MONTERING AV VISIRET TIL HJELMEN

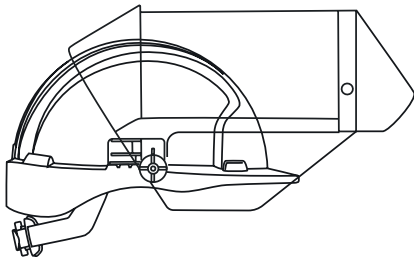
AFP-25 hjelmontert elektrisk lysbue-ansiktsskjerm må kun monteres på en JSP EVO®5 uventilert industriell sikkerhetshjelm som er godkjent for elektrisk beskyttelse på det maksimale forventede nivået. I tilfeller, kontakt JSPs tekniske hjelpelinje.

For å montere visiret, sett inn adaptere i de universelle festesporene på hjelmen. Lytt etter en klikklyd for å sikre at adapteren er godt festet.



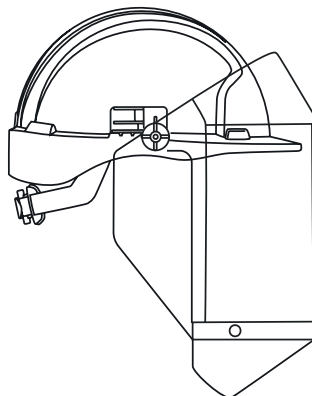
JUSTERING AV VISIRET

Monter og juster hjelmen, og ta deretter tak i hakebeskytteren for å trekke skjoldet ned til utplassert/arbeidsposisjon.



Posisjon 1:

AFP-25 hjelmontert elektrisk lysbue-ansiktsskjerm i hevet posisjon.



Posisjon 2:

AFP-25 hjelmontert elektrisk lysbue-ansiktsskjerm i utplassert/arbeidsposisjon.

Sjekk alltid komponentene til AFP-25 hjemmontert elektrisk lysbue-ansiktsskjerm før bruk. Juster skjoldmonteringsmekanismen (adaptere) for å sikre at bryterne sitter godt på plass, ikke stram for hardt ellers vil ikke skjoldet fungere som det skal.

- Inspiser adaptere for sprekker eller skade, sjekk at adapterne er låst inn i tilbehørsporene på EVO® serien.
- Sjekk tilbehørspor i EVO® serien og inspiser for sprekker som kan føre til at adapteret glir ut.
- Sjekk at mutrene og boltene som fester et nedre hakevern (dobbel krone) sitter stramt før bruk.
- Hold alltid ansiktsskjoldet med hakevernet, aldri hold eller betjen skjoldet med sideskjoldforlengerne.

Til tross for det faktum at AFP-25 hjemmontert elektrisk lysbue-ansiktsskjerm kan festes i to posisjoner, kan tiltenkt beskyttelse under arbeid på ledende deler eller i nærheten av ledende deler kun gis når skjoldet er godt festet og i visiret i nedre posisjon.

Den beste beskyttelsen oppnås med en industrivernehjelm i EVO® serien, som gir mulighet for at skjoldet sitter svært tett mot ansiktet. Påse likevel at nesen eller andre deler av hodet og ansiktet holdes borte fra den innvendige flaten av skjoldet. For 360 ° beskyttelse, bruk hette eller balaklava. Driftstemperaturen skal være mellom -10 °C og 45 °C.

AFP-25 hjemmontert elektrisk lysbue-ansiktsskjerm er i lysbuebeskyttelsesklasse 2 og VLT klasse 2-produkt i henhold til GS-ET-29. Det overgår langt spesifikasjonen til den høyeste lysbuebeskyttelsesklassen i henhold til GS-ET-29. For en lett overføring av VLT-klasse 2 i henhold til GS-ET-29 skal ytterligere opplysning kreves for å oppnå en minimumsbelysning på 30 lux bak visiret. Sjekk opplysningsnivået bak visiret før du tar det i bruk.

MERK: På grunn av diverse arbeidsplassforhold, sjekk nødvendighet for tilleggsbelysning når skjermen brukes. Kunstig belysning, spesielt belysning fra fluorescerende eller LED-lamper sammen med toningen i skjoldet, kan påvirke muligheten din til fargegjenkjenning. For å være sikker på at du kan kjenne igjen farger godt nok, anbefaler vi at du utfører følgende prosedyre på arbeidsplassen din under de lokale belysningsforholdene:

1. Samle biter med kabler med samme kabelkoder som brukes på arbeidsplassen;
2. Påse at du befinner deg på et trygt sted, med en belysning (type og intensitet) som på arbeidsplassen din;
3. Rengjør øyebeskyttelsen og inspiser den for skade (nøt ikke med å bytte ut øyebeskyttelsen om nødvendig);
4. Sett på øyebeskyttelsen i henhold til brukerinstruksjonene;
5. Sorter kabelstykkene raskt.

Belysningen er for dårlig hvis du får problemer med å skille mellom kodene eller en kontroll av sorteringsresultatet viser sorteringsfeil. I så fall kan arbeidet føre til en ulykke, som en lysbue.

MERK: AFP-25 hjemmontert elektrisk lysbue-ansiktsskjerm er designet til å beskytte øyne og ansikt mot de mekaniske og termiske farene med en lysbue. Det erstatter imidlertid ikke briller med styrke, annet verneutstyr for øyne og ansikt, respiratormasker eller ytterligere verneutstyr som kreves for tilstrekkelig beskyttelse i henhold til fare- og risikoanalysen og bestemt arbeidssikkerhetsforskrifter på en bestemt arbeidsplass. Påse at verneutstyr som brukes er kompatible med hverandre.

MERK: På grunn av nasjonale sikkerhetsregler og -retningslinjer i noen land eller bedrifter, anbefales bruk av vernebriller under visiret og det kan være obligatorisk.

MERK: En lysbue/elektrisk feilbue med høy hendelsesenergi kan medføre permanent skade på synet eller annen alvorlig personskade. Personlig verneutstyr skal anses for å være den siste barrierer hvis alt annet mislykkes. Vurder utstyr med høyere beskyttelse for å få ekstra sikkerhetsbure hvis en virkelig ulykke genererer mer energi enn opprinnelig beregnet i fare- og risikoevalueringen. Men det skal ikke forekomme arbeid med ledende deler under forhold som ikke kan beskyttes mot ved hjelp av klasse 2-produkter for lysbuebeskyttelse. AFP-25 hjemmontert elektrisk lysbue-ansiktsskjerm som er beskrevet i dette dokumentet, er et klasse 2-produkt.

RENGJØRING

Rengjør og inspiser AFP-25 hjelmontert elektrisk lysbue-ansiktsskjerm før og etter hver bruk. For å rengjøre/desinfisere, skyll i 1 % oppløsning av mildt vaskemiddel og tørk med en myk klut. IKKE BRUK skurende rengjøringsmidler. Sørg for at alle komponenter er riktig montert igjen før bruk.

OPPBEVARING

Oppbevar AFP-25 hjelmontert elektrisk lysbue-ansiktsskjerm i den beskyttende esken som følger med produktet. (MERK: Andre emballasjematerialer kan inneholde løsemidler som kan redusere beskyttelsesnivået.) Oppbevar AFP-25 hjelmontert lysbue-ansiktsskjold utenfor sollys i et rent og tørt miljø. Må ikke oppbevares i temperaturer under -10°C eller over 45°C. Ikke utsett AFP-25 hjelmontert elektrisk lysbue-ansiktsskjerm for noen buesveiseoperasjoner.

VEDLIKEHOLD, REPARASJON OG UTSKIFTING

Sørg for at vingemuttere forblir stramme slik at ansiktsskjermen kan oppbevares sikkert.

AFP-25 hjelmontert elektrisk lysbue-ansiktsskjerm (inkludert den permanent festede hakebeskytteren) må skiftes ut hvis:

- det har riper eller er skadet,
- det er utsatt for lysbue,
- det har vært utsatt for kjemikalier, olje eller smøremidler*
- det er skadet som følge av mekanisk slag*,
- det har nådd slutten på den normale levetiden (se avsnittet Inspeksjonskriterier og fastsettelse av slutten av levetiden),
- det er utsatt for høy varme eller sterkt sollys *
- det har vært utsatt for brann over lengre tidsperioder *.

* NB: Skader forårsaket av disse hendelsene er kanskje ikke synlige.

INSPEKSJON OG BRUKSTID

Inspiser ansiktsskjermen regelmessig og skift ut eventuelle skadede eller slitte komponenter.

Under normale omstendigheter skal ansiktsskjermen gi tilstrekkelig beskyttelse i 5 år.

Ikke bruk ansiktsskjermen på nytt etter en lysbuehendelse. Hvis ansiktsskjermen har blitt utsatt for en lysbuehendelse eller utsatt for skader som er skissert ovenfor, må den skiftes ut.

FAREVURDERING

For å velge passende øye- og ansiktsbeskyttelse, må en fare- og risikovurdering utføres av autorisert personell med relevant opplæring og kvalifikasjoner. Øye- og ansiktsbeskytteren må aldri brukes i miljøer med en høyere risikovurdering enn beskyttelsesgraden som er angitt på merkingen.

AFP-25 hjelmontert elektrisk lysbue-ansiktsskjerm må kombineres med ytterligere lysbuebeskyttende PPE som hjelmer, plagg, hansker og annet utstyr som anses som hensiktsmessig i fare- og risikovurderingen.

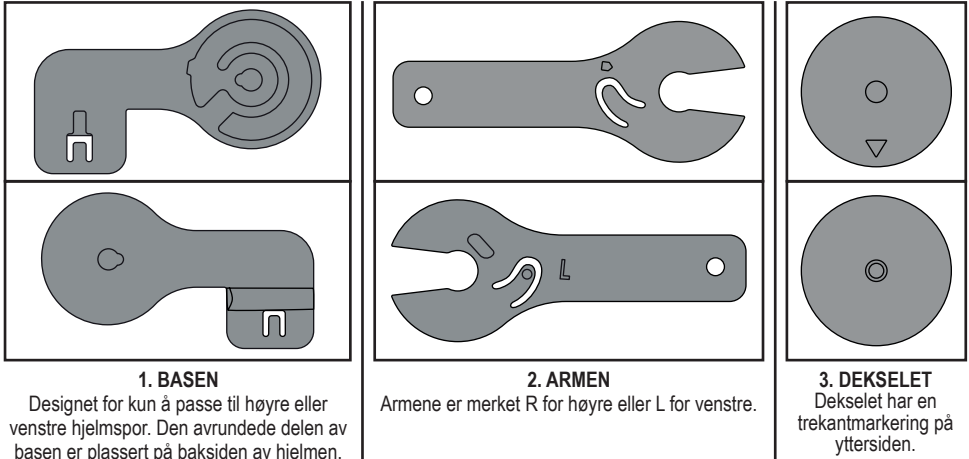
Upassende bruk, for eksempel ved høyere lysbueeksponering, kan forårsake alvorlig helseskade og sette brukerens liv i fare.

RISIKO	KILDE TIL RISIKO	SIKKERHETSFAKTORER RELATERT TIL VALG OG BRUK AV PPE
Generelle handlinger	Ved kontakt: Brann, eksplosjoner,	Beskyttelse av ansiktet og deler av hodet der likt merkede hjelmer, balaklava, skjorte, bukser, hansker og støvler brukes
	Slitasje som følge av bruk.	Ripemotstand
Termiske farer produsert av elektrisk lysbue	Feilfunksjon i elektrisk utstyr, varme fra lysbue, eksponert flamme	Nivå av varmeeksponering fra lysbue, liten sprut av smeltet metall (kobber, jern eller projisert) fra en lysbue
Mangel på synlighet	Utilstrekkelig persepsjon	Tilbehør med høy synlighet for klær, retro refleks, økt belysning på arbeidssteder
Høyhastighetsslag	Partikler projisert i høy hastighet	Velg riktig ansiktsskjold i henhold til energien i mulig projiserte partikler
Brannsårr på øynene	UV-stråling	Velg riktig filter for den aktuelle bruken. Ikke se direkte i lyskilden

VEKTBALANSESYSTEMET (WBS)

KOMPONENTER

Systemet består av 6 komponenter. 3 deler utgjør hver side (venstre og høyre).

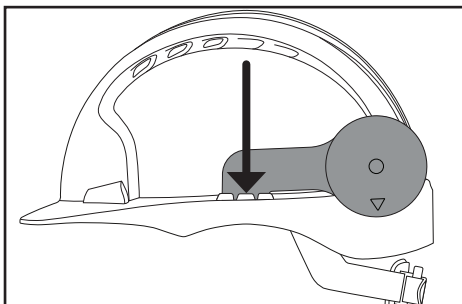


MONTERING AV WBS

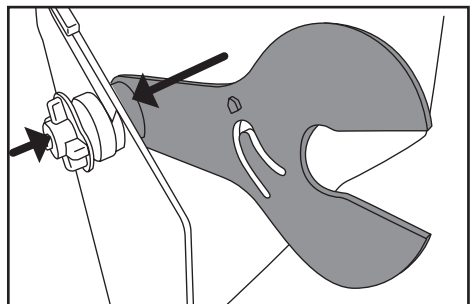
WBS leveres montert. Trekantmerket på dekselet er plassert rett over kanalen i basen, slik at armen kan gli til akselen.

WBS monteres ved hjelp av skruene, mutrene og gummiskivene som følger med standard visirmonteringssystemet.

- 1) Monter WBS-armen på skruen. (Legg merke til "L" eller "R" på armen.)
- 2) Sett en gummiskive på skruen.
- 3) Fest ansiktsskjermen.
- 4) Legg til den andre gummiskiven.
- 5) Legg til mutteren og vri for å stramme til ansiktsskjermen er festet med armen i oppreist stilling. (Mutteren kan løsnes hvis arbeid kan utføres med ansiktsskjermen i hevet stilling.)



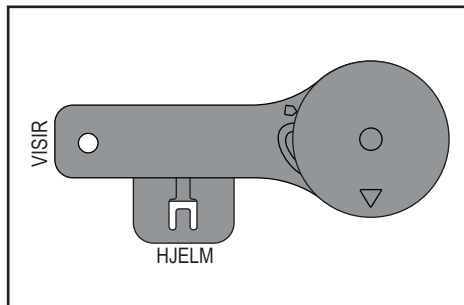
WBS montert på hjelm - Base med deksel



WBS-arm montert på visir – Skruer/arm/gummiskive/visir/gummiskive/mutter

Med ansiktsskjermen og WBS montert på hjelmen, flytt ansiktsskjermen til utplassert/arbeidsposisjon for å kontrollere at pannebeskyttelsen er plassert over forsiden av EVO®-hjelmskallet. Løft ansiktsskjermen til trekanten på WBS-basen er på linje med merket på WBS-armen. Dette gjør at armen kan gli til akselen. Når ansiktsskjermen er sikret vil du høre en klikklyd.

WBS er nå montert og klar til bruk.



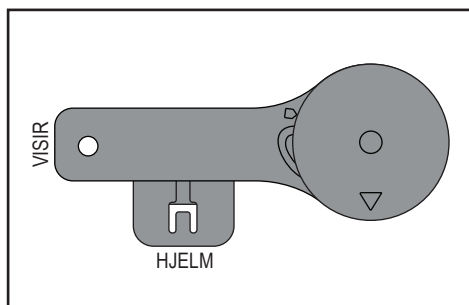
WBS Arbeidsposisjon

BRUKE WBS

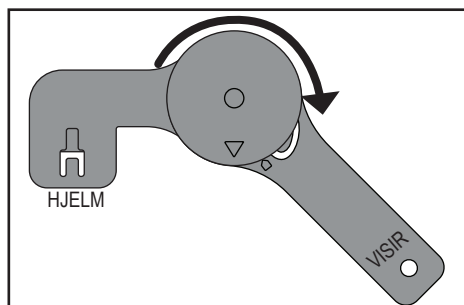
Utplassert/arbeidsstilling: Ansiktsskjerm senket foran brukerens ansikt, festet på plass med en klikklyd.

Oppbevart stilling: Ansiktsskjermen er balansert over hjelmens krone. Plasser ansiktsskjermen oppreist slik at WBS-en kan bevege seg til oppbevaringsposisjon. Sørg for at WBS-armen er posisjonert oppreist før du snur ansiktsskjermen. Sikre hjelmen med klikklyd. (**Valgfritt:** Ansiktsskjermen kan presses forsiktig mot hjelmkallet for å redusere profilen ytterligere.)

Øv på å betjene ansiktsskjermen og WBS før du går inn i fareområdet. Systemet er designet for å kunne løftes og senkes med én hånd for å gripe hakebeskytteren.



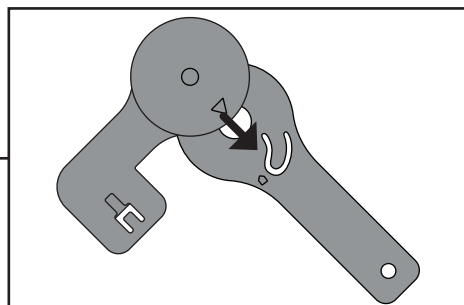
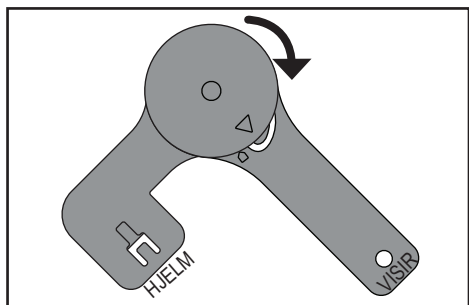
WBS Arbeidsposisjon



WBS Stuvet posisjon






Det anbefales å holde ansiktsskjermen og WBS festet til hjelmen. Gjentatt montering og fjerning av WBS og ansiktsskjermen kan skade hjelmens festespor og forhindre riktig montering.

For å fjerne ansiktsskjermen, reverser monteringsprosessen ovenfor.



WBS 2 utløserposisjoner (Se merkene på dekslet og armen)

MARKERINGER

MERKING	BETYDNING		
	Produsentenes varemerke		CE-merke med ID-nummer til offisielt organ (kreves for kat. III-produkter i henhold til Vedlegg II i FORSKRIFT FOR PERSONVERNUTSTYR 2016/425)
	Beskyttelse mot den termiske effekten av elektrisk lysbue.		Se bruksanvisningen. Hvis anbefalingene i bruksanvisningen ikke følges, kan beskyttelsen enheten gir, blir sterkt svekket.
	Hjul med produksjonsdato: produksjonsår angitt i midten, måned vises av pil		
EN 166	Europeisk standard for øyevem for industri	Z87	Den Amerikanske standarden (ANSI) for industrivernebriller
2 or 2C-#	Ultrafiolettfilter (C = god fargegjenkjenning) og klasse # (EN170)		
1	Nummer som angir optisk klasse, 1 er høy 3 er lav		
B	Motstår middels høy støtpåvirkning fra høyhastighetspartikler		
8-2-2	I henhold til GS-ET-29: "8" = Motstand mot kortslutning elektrisk lysbue. "2" = Feilklasse 2 (423 kJ/m ² ~ 10,1 cal/cm ² , Åpne bokstest). "2" = Synlig lystransmittans klasse 2 (VLT < 50 %)		
K	EN166 Motstandsdyktig mot overflateskade fra småpartikler		

AFP-25 HJÄLMMONTERAD ELEKTRISK LJUSBÅGE ANSIKTSSKÄRM

EN166:2001 // EN170:2002 // GS-ET 29:2019. CAT III Product.

En kopia av den här handboken och försäkringen om överensstämmelse för produkten finns på produktsidan:
documents.jspsafety.com

INNEHÅLL

Introduktion	51
Allmänna varningar	51
Standarder	51
Användningsområde	52
Montering av visiret på hjälmen	52
Justering av visiret	52
Användning	53
Rengöring	54
Förvaring	54
Underhåll, reparation och utbyte	54
Inspektion och livslängd	54
Riskbedömning	54
Bruksanvisning för viktbalanseringssystem	55
Markeringar	57

VIKTIGT: Denna bruksanvisning ska läsas i sin helhet, så att användaren har bekantat sig med och utbildats på produkten innan den börjar användas. Spara bruksanvisningen för framtida referens.

INTRODUKTION

En elektrisk ljusbågsblixt är en felström som genereras av en kortslutning som går genom joniserad luft. En ljusbågsincident avger plasma, höga nivåer av konvektiv värme och extremt höga doser av elektromagnetisk strålning (ultraviolett strålning (UV), infraröd strålning (IR) och synligt ljus med hög energi). Explosionen av expanderande värme genererar giftig luft, extremt buller och en snabbt fortskridande tryckvåg – ofta åtföljd av flygande skräp som fragment och smält metall.

En ljusbågsincident kan orsakas av ett systemfel eller ett hanteringsfel i en högströms elektrisk miljö, oavsett om arbetet utförs på ett låg-, mellan- eller högspänningssystem.

AFP-25 hjälmonterad elektrisk ljusbåge ansiktsskärm är en personlig skyddsutrustning (PPE) designad för att minska de skadliga effekterna av en ljusbågsincident (elektrisk felbåge) på ögon och ansikte när den väljs och används på rätt sätt som en del av en ljusbågsblixt skyddande ensemble som även inkluderar lämpliga ljusbågsskyddskläder och handskar.

ALLMÄNNA VARNINGAR

- Det AFP-25 hjälmonterad elektrisk ljusbåge ansiktsskärm måste vara nedfällt för att erbjuda skydd.
- Utsätt inte för onödigt mycket solljus
- Använd inte vid svetsning
- Utsätt inte för öppen eld under längre tid
- Ytan kan bli varm om den utsätts för elektromagnetisk strålning
- Byt vid föroreningar av kemikalier, oljor eller smörjmedel
- Byt vid skador från mekanisk påverkan
- Använd endast i kombination med monterat hakskydd
- Använd endast reservdelar i original
- Säkerställ att arbetsplatsen har tillräcklig belysning
- Material som kommer i kontakt med användarens hud kan orsaka allergiska reaktioner hos känsliga personer. Om så är fallet, lämna riskområdet, ta av hjälmen och ansiktsskyddet och uppsök läkare.
- Det hjälmonterade ansiktsskyddet mot ljusbågar AFP-25 skyddar mot partiklar med hög hastighet. Om det används över vanliga slipade glasögon kan dessa överföra stötar och utgöra en fara för användaren.
- För att ett ansiktsskydd ska uppfylla användningsområdet enligt symbolen 8 ska det ha ett filter med skalnummer, minst, 2-1.2 och ha en tjocklek på minst 1,4 mm.
- För att ett ögonskydd ska uppfylla användningsområdet enligt symbolen 9 måste både ramen och glaset vara märkta med symbolerna i kombination med en av symbolerna F, B eller A.
- Om symbolen F, B och A inte är samma på både glaset och ramen ska den lägre nivån gälla för hela ögonskyddet.
- Det AFP-25 hjälmonterad elektrisk ljusbåge ansiktsskärm ska användas som en del av en skyddsutrustning mot ljusbågar som även består av lämpliga skyddskläder och skyddshandskar mot ljusbågar
- Underlåtenhet att följa dessa instruktioner kan resultera i en permanent försämring av synen eller andra allvarliga personskador.

STANDARDER

Det AFP-25 hjälmonterad elektrisk ljusbåge ansiktsskärm är certifierat enligt EN 166:2001, GS-ET-29:2011/05 och uppfyller bilaga II till förordningen (EU) 2016/425. I samsvar med UK laggivning SI 2018 No. 390.

Dess konstruktion ska uppfylla ANSI Z87.1. Det hjälmonterade ansiktsskyddet mot ljusbågar AFP-25 har testats med ett ATPV på 25 cal/cm² enligt ASTM F2178:2008 (personlig skyddsutrustning nivå 2 enligt NFPA 70E:2015).

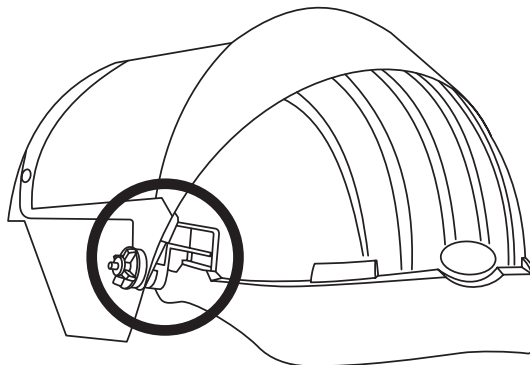
ANVÄNDNINGSMÅL

- AFP-25 hjälmmonterad elektrisk ljusbåge ansiktsskärm tillsammans med ytterligare personlig skyddsutrustning som är lämplig för den tidigare bestämda skyddsnivån, skyddar den kvalificerade användaren under spänningsförande arbete eller när de befinner sig i närheten av spänningsförande delar.
- AFP-25 hjälmmonterad elektrisk ljusbåge ansiktsskärm ger skydd för ögon och ansikte endast om det används på avsett sätt.
- Använd inte AFP-25 hjälmmonterad bågsvetsning för elektrisk ljusbågsvetsning. Dessutom bör ansiktsskärmen inte användas eller förvaras i områden där bågsvetsarbete utförs.
- En korrekt riskbedömning måste utföras av en kvalificerad person innan arbetet utförs.

MONTERING AV VISIRET PÅ HJÄLMEN

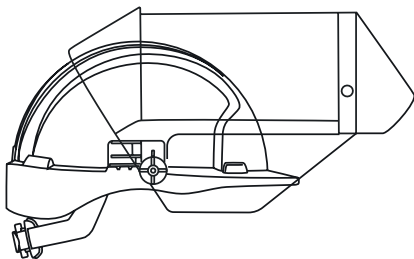
AFP-25 hjälmmonterad elektrisk ljusbåge ansiktsskärm får endast monteras på en JSP EVO®5 oventilerad industriell skyddshjälm som är godkänd för elektriskt skydd på högsta förväntade nivå. Vid tveksamhet, kontakta JSPs tekniska hjälplinje.

För att montera visiret, sätt in adaptrarna i de universella fästspåren på hjälmen. Lyssna efter ett klickljud för att säkerställa att adaptern sitter ordentligt fast.

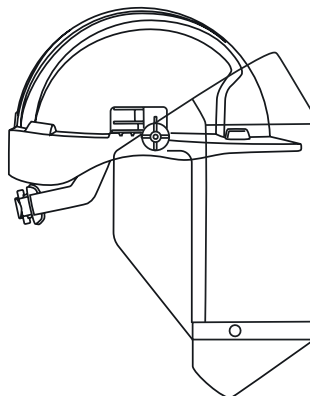


JUSTERING AV VISIRET

Montera och justera hjälmen, greppa sedan hakskyddet för att dra ner skölden till utfälld/arbetsposition.



Läge 1:
AFP-25 hjälmmonterad elektrisk ljusbåge ansiktsskärm
i upplift läge.



Läge 2:
AFP-25 hjälmmonterad elektrisk ljusbåge ansiktsskärm
i utplacerad/arbetande läge.

ANVÄNDNING

Kontrollera alltid de olika komponenterna på det AFP-25 hjälmonterad elektrisk ljusbåge ansiktsskärm innan det används. Ställ in fästena (adaptrarna) och säkerställ att vreden sitter fast ordentligt men dra inte åt för hårt, då fungerar inte ansiktsskyddet som det ska.

- Inspektera adaptrarna beträffande sprickor och skador, säkerställ att adaptrarna är låsta i tillbehöröppningarna på EVO®.
- Kontrollera tillbehöröppningarna på EVO® och inspektera beträffande sprickor som kan leda till att adaptorn glider ur.
- Säkerställ att muttrarna och skruvarna för ett nedre hakskydd (dubbla skydd) sitter fast ordentligt före användning.
- Håll alltid ansiktsskyddet i hakskyddet, håll aldrig och manövrera aldrig ansiktsskyddet med förlängningarna på sidorna.

Trots att det AFP-25 hjälmonterad elektrisk ljusbåge ansiktsskärm kan fixeras i två lägen ges avsett skydd endast när ansiktsskyddet är nedfällt och sitter fast ordentligt vid arbeten på strömförande delar eller i närheten av strömförande delar.

Det bästa skyddet uppnås med en EVO® industriskyddshjälm som låter ansiktsskyddet sitta mycket nära ansiktet. Men säkerställ att näsan eller andra delar av ansiktet och huvudet har frigång till ansiktsskyddets yta. För 360°-skydd, använd huva eller balaklava. Användningstemperaturen ska vara mellan -10°C och 45°C.

Det AFP-25 hjälmonterad elektrisk ljusbåge ansiktsskärm motsvarar skydd mot ljusbågar klass 2 och VLT klass 2 enligt GS-ET-29. Det överskrider med råge specifikationerna för den högsta klassen av skydd mot ljusbågar enligt GS-ET-29. För en ljustransmittans i VLT klass 2 enligt GS-ET-29 antas ytterligare belysning krävas för att uppnå minsta belysningsstyrka 30 lux bakom visiret. Kontrollera belysningsstyrkan bakom visiret innan det börjar användas.

OBS! Kontrollera behovet av ytterligare belysning på arbetsplatsen när ansiktsskyddet används. Konstbelysning, särskilt från lysrör eller lysdioder i kombination med toning av visiret kan påverka användarens förmåga att uppfatta färger. För att säkerställa att användaren kan uppfatta färger på tillfredsställande sätt rekommenderar vi att följande förfarande utförs på arbetsplatsen under rådande lokala ljusförhållanden:

1. Samla ihop kabelbitar med samma kabelkodning som används på arbetsplatsen;
2. Säkerställ att förfarandet utförs på en säker plats med belysning (typ och intensitet) som på arbetsplatsen;
3. Rengör ögonskyddet och inspektera det beträffande skador (byt ögonskyddet vid behov);
4. Sätt dit ögonskyddet enligt bruksanvisningen;
5. Sortera kabelbitarna snabbt.

Om det är problem att skilja olika kodningar åt eller om kontrollen ger felaktiga resultat är belysningen undermålig. I detta fall kan arbetet orsaka en olycka såsom en ljusbåge.

OBS! Det AFP-25 hjälmonterad elektrisk ljusbåge ansiktsskärm är konstruerat för att skydda ögonen och ansiktet mot mekaniska och termiska faror från en ljusbåge. Men det kan inte ersätta slipade glasögon, andra ögon- och ansiktsskydd som ingår i personlig skyddsutrustning, andningsmasker eller annan personlig skyddsutrustning som krävs för tillräckligt skydd enligt riskbedömningen och särskilda bestämmelser om arbetssäkerhet på varje enskild arbetsplats. Säkerställ att alla delar i den personliga skyddsutrustningen som används är kompatibla med varandra.

OBS! På grund av nationella säkerhetsbestämmelser i vissa länder eller företag rekommenderas användning av skyddsglasögon under visiret och det kan vara obligatoriskt.

OBS! En ljusbåge med hög energi kan orsaka permanent nedsatt syn eller andra allvarliga personskador. Personlig skyddsutrustning ska betraktas som den sista barriären om ingenting annat fungerar. Välj skyddsutrustning med högre skyddsnivå för att få en extra buffert i händelse av att en olycka alstrar mer energi än beräkningarna i riskbedömningen. Men det ska inte utföras några arbeten på strömförande delar under förhållanden som inte kan skyddas av produkter enligt skydd mot ljusbågar klass 2. Det AFP-25 hjälmonterad elektrisk ljusbåge ansiktsskärm som beskrivs i detta dokument är en produkt enligt klass 2.

RENGÖRING

Rengör och inspektera AFP-25 hjälmonterad elektrisk ljusbåge ansiktsskärm före och efter varje användning. För att rengöra/desinficera, skölj i 1 % lösning av mild rengöringsmedel och torka med en mjuk trasa. ANVÄND INTE slipande rengöringsmedel. Se till att alla komponenter är korrekt återmonterade före användning.

FÖRVARING

Förvara AFP-25 hjälmonterad elektrisk ljusbåge ansiktsskärm i skyddslådan som medföljer produkten. (**OBS:** Andra förpackningsmaterial kan innehålla lösningsmedel som kan sänka skyddsnivån.) Förvara AFP-25 hjälmonterad elektrisk ljusbåge ansiktsskärm borta från solljus i en ren och torr miljö. Förvara inte i temperaturer under -10°C eller över 45°C. Utsätt inte den AFP-25 hjälmonterad elektrisk ljusbåge ansiktsskärm för bågsvetsning.

UNDERHÅLL, REPARATION OCH UTBYTE

Se till att vingmuttrarna förblir åtdragna så att ansiktsskyddet kan stuvras säkert.

Det AFP-25 hjälmonterad elektrisk ljusbåge ansiktsskärm (inklusive det permanenta hakskyddet) måste bytas om:

- det repas eller skadas
- det har utsatts för en ljusbåge
- det har utsatts för kemikalier, oljor eller smörjmedel*
- det skadas av mekanisk påverkan*
- det har nått slutet av normal livslängd (se avsnittet om inspektionskriterier och fastställande av livslängdens slut)
- det har utsatts för hög värme eller onormalt mycket solljus*
- det har utsatts för eld under längre tid*

* **OBS!** Skador orsakade av dessa incidenter kanske inte är synliga.

INSPEKTION OCH LIVSLÄNGD

Inspektera ansiktsskyddet regelbundet och byt ut alla skadade eller slitna komponenter.

Under normala omständigheter bör ansiktsskyddet ge tillräckligt skydd i 5 år.

Återanvänd inte ansiktsskyddet efter en ljusbågsincident. Om ansiktsskyddet har utsatts för en ljusbågsincident eller utsatts för någon skada som beskrivs ovan måste den bytas ut.

RISKBEDÖMNING

För att välja lämpligt ögon- och ansiktsskydd måste en risk- och riskbedömning utföras av auktoriserad personal med relevant utbildning och kvalifikationer. Ögon- och ansiktsskyddet får aldrig användas i miljöer med en högre riskklassning än den skyddsklass som anges på märkningen.

AFP-25 hjälmonterad elektrisk ljusbåge ansiktsskärm måste kombineras med ytterligare ljusbågsyddande PPE såsom hjälmar, plagg, handskar och annan utrustning som bedöms vara lämplig i faro- och riskbedömningen.

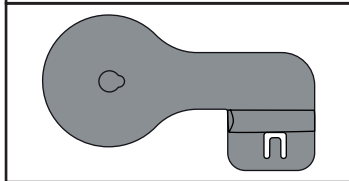
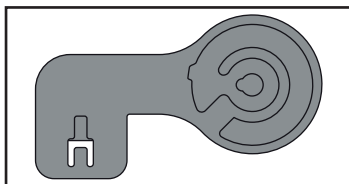
Olämplig användning, till exempel vid högre ljusbågs exponering, kan orsaka allvarliga skador på hälsan och äventyra användarens liv.

RISKERA	RISKKÄLLA	SÄKERHETSFAKTORER RELATERADE TILL VAL OCH ANVÄNDNING AV PPE
Allmänna händelser	Genom kontakt: Eld, Explosioner	Användning av skydd för ansiktet och delar av huvudet med hjälm, balaklava, tröja, byxor, handskar och kängor med likvärdig klassning
	Slitage på grund av användning.	Reptålighet
Termiska risker orsakade av ljusbåge	Fel på elutrustning, värme från en ljusbåge, öppen låga	Nivån av exponering för värme från en ljusbåge, små stänk av smält metall (koppars, järn eller utskjutna) från en ljusbåge
Dålig synlighet	Otillräcklig uppfattningsförmåga	Varseltillbehör på kläder, reflexer, ökad belysning på arbetsplatsen
Risk att bli träffad i hög hastighet	Partiklar som skjuts iväg med hög hastighet	Välj rätt ansiktsskydd efter energin i de potentiella ivägskjutna partiklarna
Brännskador på ögonen	UV-strålning	Välj rätt filter för respektive användning. Titta aldrig direkt in i ljuskällan

VIKTBALANSERINGSSYSTEM (WBS)

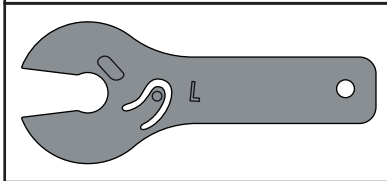
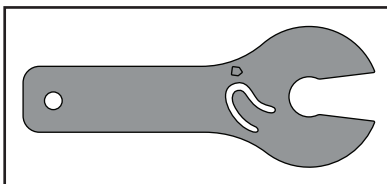
KOMPONENTER

Systemet består av 6 komponenter. 3 delar utgör varje sida (vänster och höger).



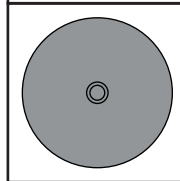
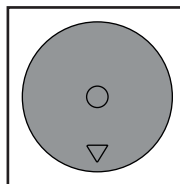
1. BAS

Designad för att endast passa höger eller vänster hjälmöppning. Den rundade delen av basen är placerad på baksidan av hjälmen.



2. ÄRM

Armarna är märkta R för höger eller L för vänster.



3. OMSLAG

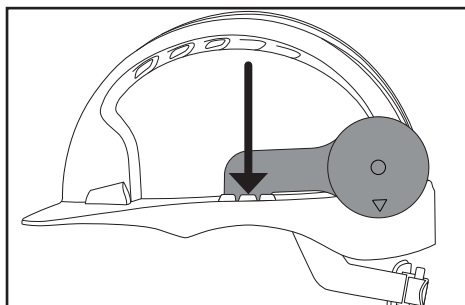
Omslaget har en triangelmarkering på utsidan.

MONTERING AV WBS

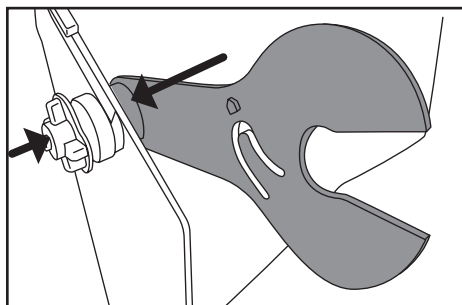
WBS levereras monterad. Triangel markeringen på locket är placerad direkt över kanalen i basen, vilket gör att armen kan glida mot axel.

WBS monteras med skruvar, muttrar och gummibrickor som medföljer standardvisirmonteringssystemet.

- 1) Montera WBS-armen på skruven. (Observera "L" eller "R" markering på armen.)
- 2) Sätt en gummibricka på skruven.
- 3) Fäst ansiktsskyddet.
- 4) Lägg till den andra gummibrickan.
- 5) Lägg till muttern och vrid för att dra åt tills ansiktsskyddet sitter fast med armen i upprätt läge. (Muttern kan lossas om arbete kan utföras med ansiktsskyddet i upplyft läge.)



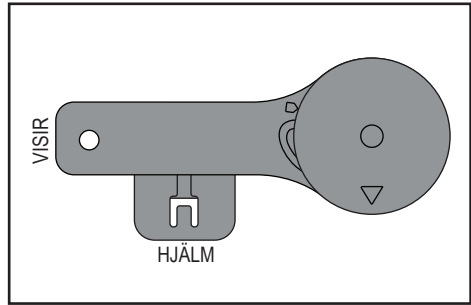
WBS monterat på hjälmen - Bas med omslag



WBS Ärm monterad på visir - Skruv / Ärm / Gummibricka / Visir / Gummibricka / Mutter

Med ansiktsskyddet och WBS monterade på hjälmen, flytta ansiktsskyddet till utfällt/arbetsläge för att kontrollera att ögonbrynsskyddet är placerat över framsidan av EVO®-hjälm skalet. Lyft ansiktsskyddet tills triangelmarkeringen på WBS-basen är i linje med markeringen på WBS-armen. Detta gör att armen kan glida till axeln. När ansiktsskyddet är säkrat kommer du att höra ett klickljud.

WBS är nu monterad och klar för användning.



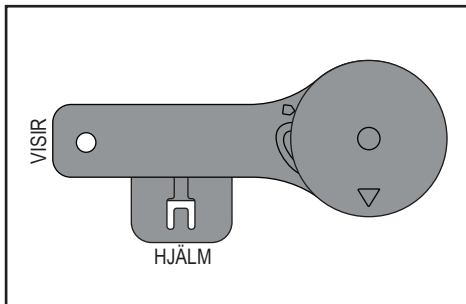
WBS Arbetsställning

ANVÄNDNING AV WBS

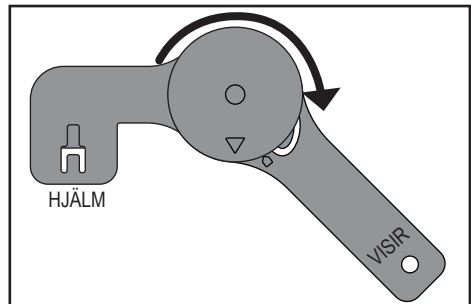
Utfälld/arbetsposition: Ansiktsskyddet sänkt framför bärarens ansikte, fäst på plats med ett klickljud.

Förvarat läge: Ansiktsskyddet är balanserat över hjälmens krona. Placera ansiktsskyddet upprätt så att WBS:n kan flyttas till det förvarade läget. Se till att WBS-armen är placerad upprätt innan du vider ansiktsskyddet. Säkra hjälmen med klickljud. (**Valfritt:** Ansiktsskyddet kan tryckas försiktigt mot hjälm skalet för att minska profilen ytterligare.)

Öva på att använda ansiktsskärmen och WBS innan du går in i riskområdet. Systemet är utformat för att lyftas och sänkas med en hand för att greppa hakskyddet.



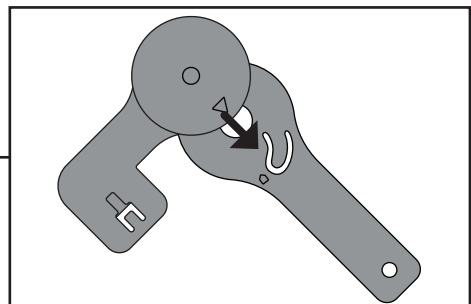
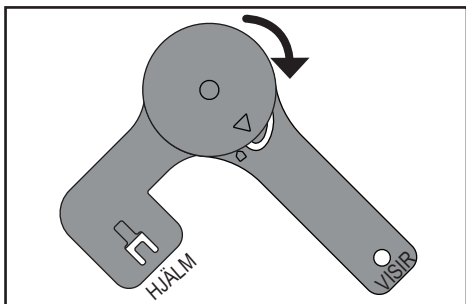
WBS Arbetsställning



WBS Stuvad läge






Det rekommenderas att hålla ansiktsskyddet och WBS fästa på hjälmen. Upprepad montering och borttagning av WBS och ansiktsskyddet kan skada hjälmens fäste och förhindra korrekt montering.

För att ta bort ansiktsskyddet, vänd monteringsprocessen ovan.



WBS 2 frigöringslägen (Se märkena på locket och armen)

MÄRKNINGAR

MARKERA	MENANDE		
	Tillverkarens varumärke		CE-märkningen och ID-numret från anmält organ (krävs för kat III-produkter enligt bilaga II till förordningen om personlig skyddsutrustning 2016/425)
	Skydd mot den elektriska ljusbågens termiska effekt.		Se bruksanvisningen. Följer man inte råden i bruksanvisningen kan enhetens skyddseffekt försämrast kraftigt.
	Hjul med tillverkningsdatum: tillverkningsåret visas i mitten och månaden visas med en pil		
EN 166	Europeisk standard för ögonskydd för industriellt bruk	Z87	Amerikansk standard (ANSI) för ögonskydd för industriellt bruk
2 or 2C-#	Filter mot ultraviolett ljus (C = bra färgigenkänning) och klassnr (EN170)		
1	Siffror som motsvarar optisk klass, 1 är hög och 3 är låg		
B	Står emot slag med medelhög energi från partiklar i hög hastighet		
8-2-2	I enlighet med GS-ET-29: "8" = Motstånd mot kortslutning av elektrisk ljusbåge. "2" = Felklass 2 (423 kJ/m ² ~ 10,1 cal/cm ² , Öppna lådatest). "2" = Transmittans för synligt ljus klass 2 (VLT < 50 %)		
K	EN166 Beständighet mot ytskador på grund av fina partiklar		

AFP-25 KYPÄRÄÄN KIINNITETTY SÄHKÖKAARIKASVOSUOJA

EN166:2001 // EN170:2002 // GS-ET 29:2019. CAT III Product.

Tämän käyttöohjeen kopio ja tuotteen vaatimustenmukaisuusvakuutus löytyvät tuotesivulta: documents.jspsafety.com

SISÄLTÖ

Johdanto	59
Yleiset varoitukset	59
Standardit	59
Soveltamisala	60
Visiirin kiinnittäminen kypärään	60
Visiirin säätäminen	60
Käyttö	61
Puhdistaminen	62
Varastointi	62
Huolto, korjaus ja vaihto	62
Tarkastus ja käyttöikä	62
Vaarojen arviointi	62
Painon tasapainotusjärjestelmän käyttöohje	63
Merkinnät	65

TÄRKEÄÄ: Lue tämä käyttöohje kokonaan ennen tuotteen käyttöä. Käyttäjän täytyy tuntea tuotteen toimintaperiaatteet ja hänellä on oltava tuotteen käyttöä koskeva koulutus ennen tuotteen käyttöä. Säilytä käyttöohje myöhempää käyttöä varten.

JOHDANTO

Valokaarisalama on vikavirta, joka syntyy ionisoidun ilman läpi kulkevasta oikosulusta. Valokaarisalama aiheuttaa plasmaa, korkeaa konvektiivista lämpöä ja erittäin suuria annoksia sähkömagneettista säteilyä (ultraviolettisäteilyä (UV), infrapunasäteilyä (IR) ja korkean energian näkyvää valoa). Laajentuvan lämmön räjähdys synnyttää myrkyllistä ilmaa, äärimmäistä melua ja nopeasti etenevän paineaallon – usein mukana lentäviä roskia, kuten sirpaleita ja sulaa metallia.

Valokaarileima voi johtua järjestelmävirheestä tai käsittelyvirheestä korkeavirtaisessa sähköympäristössä riippumatta siitä, onko suoritettava työ matala-, keski- vai korkeajännitejärjestelmässä.

AFP-25-kypärään kiinnitetty kaarisalaman kasvosuojain on henkilökohtainen suojalaite (PPE), joka on suunniteltu vähentämään kaaren välähdyksen (sähkökaari) haitallisia vaikutuksia silmiin ja kasvoihin, kun se valitaan ja käytetään oikein osana kaarisalamaa. suojakokonaisuus, joka sisältää myös sopivat valokaaren suojavaatteet ja käsineet.

YLEISET VAROITUKSET

- Kypäräkiinnitteisen valokaarilta suojaavan AFP-25 -kasvojensuojaimen on oltava ala-asennossa tarjotakseen suojaa.
- Ei saa altistaa auringonvalolle
- Älä käytä hitsaamiseen
- Ei saa altistaa avotullelle pitkiä aikoja
- Pinta saattaa kuumentua sähkömagneettiselle säteilylle altistuessaan
- Vaihda kemikaaleille, öljyille tai voiteluaineille altistumisen jälkeen
- Vaihda mekaanisen iskun aiheuttaman vaurioitumisen jälkeen
- Käytä vain yhdessä kiinnitetyn leukasuojan kanssa
- Käytä vain alkuperäisiä varaosia
- Varmista, että työpisteessäsi on riittävä valaistus
- Materiaali voi aiheuttaa allergisia reaktioita herkistyneille henkilöille, kun se on kosketuksissa käyttäjän ihon kanssa. Tällöin käyttäjän on poistuttava vaara-alueelta, riisuttava kypärä ja kasvojensuojain sekä otettava yhteys lääkäriin.
- Kypäräkiinnitteinen valokaarilta suojaava AFP-25 -kasvojensuojain suojaaa suurinopeuksilta hiukkasilta. Jos sitä pidetään vakiomallisten silmälasien päällä, iskut voivat välittyä käyttäjään ja aiheuttaa tälle siten vaaran.
- Kasvojensuojaimessa on oltava vähintään asteikon 2-1.2 mukainen suodatin ja suojaimen paksuuden on oltava vähintään 1,4 mm, jotta se täyttää symbolin 8 mukaisen käyttötarkoituksen vaatimukset.
- Jotta silmiensuojain täyttää symbolin 9 mukaisen käyttötarkoituksen vaatimukset, sekä kehyksissä että linsseissä on oltava symbolimerkinnot ja lisäksi vähintään yksi seuraavista symboleista F, B tai A.
- Jos symbolit F, B ja A eivät ole samat linsseille ja kehyksille, koko silmiensuojaimelle määritetään alempi taso.
- Kypäräkiinnitteistä valokaarilta suojaavaa AFP-25 -kasvojensuojainta on käytettävä osana valokaarilta suojaavaa kokonaisuutta, joka sisältää myös soveltuvat valokaarilta suojaavat vaatteet ja käsineet.
- Näiden ohjeiden noudattamatta jättäminen voi johtaa pysyvään näön heikkenemiseen tai muuhun vakavaan henkilövahinkoon.

STANDARDIT

Kypäräkiinnitteinen valokaarilta suojaava AFP-25 -kasvojensuojain on sertifioitu standardin EN 166:2001, GS-ET-29:2011/05 mukaan ja täyttää asetuksen (EU) 2016/425 liitteen II vaatimukset. Noudattaa UK lainsäädäntöä SI 2018 No. 390.

Se on suunniteltu täyttämään ANSI Z87.1 -vaatimukset. Kypäräkiinnitteinen valokaarilta suojaava AFP-25 -kasvojensuojain on lisäksi testattu ATPV-arvolle 25 cal/cm² ASTM F2178:2008 -standardin mukaan (PPE taso 2 standardin NFPA 70E:2015 mukaan).

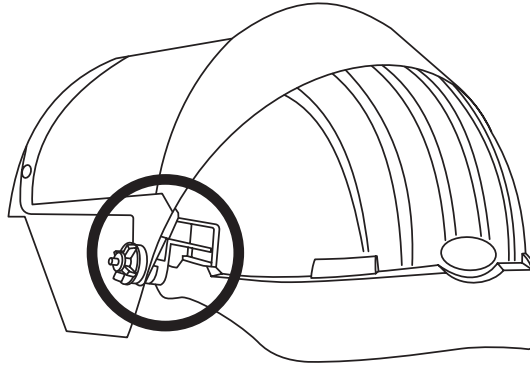
SOVELTAMISALA

- AFP-25 kypärään kiinnitetty kaarinen salamakasvosuoja yhdessä ylimääräisten henkilönsuojaimien kanssa, jotka vastaavat edellä määritettyä suojautasoa, suojaavat pätevää käyttäjää jännitteisen työn aikana tai ollessaan jännitteisten osien lähellä.
- AFP-25 kypärään kiinnitetty sähkökaarikasvosuoja suojaaa silmiä ja kasvoja vain, jos sitä käytetään tarkoituksenmukaisesti.
- Älä käytä AFP-25 kypärään kiinnitetty sähkökaarikasvosuoja kasvosuojaa sähkökaarihitsaukseen. Lisäksi kasvosuojasta ei saa käyttää tai varastoida tiloissa, joissa tehdään kaarihitsausta.
- Pätevän henkilön on suoritettava asianmukainen riskinarviointi ennen työn suorittamista.

VISIIRIN KIINNITTÄMINEN KYPÄRÄÄN

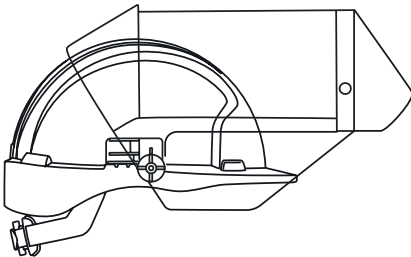
AFP-25 kypärään kiinnitetty kaarinen salamakasvosuoja saa asentaa vain JSP EVO®5 -ilmanvaihtokypärään, joka on hyväksytty sähkösuojaukseen odotetulla enimmäistasolla. Epäselvissä tapauksissa ota yhteyttä JSP Technical Helplineen.

Asenna visiiri asettamalla sovitimet kypärän yleiskiinnitysaukoihin. Kuuntele napsahdusta varmistaaksesi, että sovitin on kunnolla paikallaan.



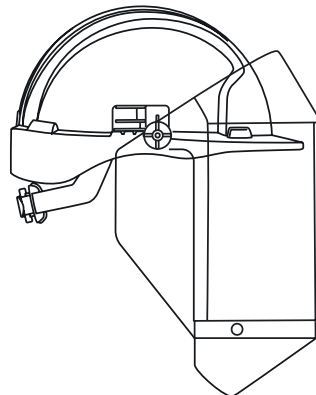
VISIIRIN SÄÄTÄMINEN

Asenna ja säädä kypärä ja vedä suojus alas käyttö-/työasentoon tarttumalla leukasuojaan.



Asento 1:

AFP-25 kypärään kiinnitetty kaarinen salamakasvosuoja nostetussa asennossa.



Asento 2:

AFP-25 kypärään kiinnitetty kaarinen salamakasvosuoja sijoitetussa työasennossa.

KÄYTTÖ

Tarkasta aina kypäräkiinnitteisen valokaarilta suojaavan AFP-25 -kasvojensuojaimen kaikki osat ennen käyttöä. Säädä suojaimen kiinnitysmekanismi (sovitekappaleet) käsin ja varmista, että nupit ovat tiukasti paikoillaan. Älä kuitenkaan kiristä liian kireälle, muutoin suojain ei voi toimia oikein.

- Tarkasta, että sovitekappaleissa ei ole murtumia tai muita vaurioita, ja varmista, että ne ovat lukittuneet EVO® malliston lisätarvikeaukkoihin.
- Tarkasta EVO® malliston lisätarvikeaukoista, ettei niissä ole murtumia, jotka saattaisivat päästää sovitekappaleen luiskahtamaan irti.
- Varmista, että alemman leukasuojan (kaksikupuinen) mutterit ja tapit ovat tiukalla ennen käytön aloittamista.
- Käytä kasvojensuojainta aina leukasuojia kiinnitettynä, älä koskaan käytä sitä käyttämällä jatkettuja sivusuojia.

Siitä huolimatta, että kypäräkiinnitteinen valokaarilta suojaava AFP-25 -kasvojensuojain voidaan kiinnittää kahteen asentoon, jännitteellisille osille tehtävissä töissä tai lähellä jännitteellisiä osia oleskeltaessa tarkoituksenmukainen suojavaikutus voidaan varmistaa ainoastaan, kun suojain on kiinnitetty kunnolla ja se on ala-asennossa.

Paras suoja saavutetaan EVO® malliston teollisuussuojakypärien kanssa käytettynä, jolloin suojain tulee hyvin lähelle kasvoja. Varmista silti, että nenäsi tai muut kohdat päästä ja kasvoja eivät pääse koskettamaan suojaimen sisäpintaa. Saat 360°:n suojan, kun käytät lisäksi huppua tai suojahuppua. Käyttölämpötilan on oltava välillä -10 °C ja 45 °C.

Kypäräkiinnitteisen valokaarilta suojaavan AFP-25 -kasvojensuojaimen valokaaren suojausluokka on 2 ja se on standardin GS-ET-29 mukainen VLT-luokan 2 tuote. Se ylittää reilusti standardin GS-ET-29 mukaisen korkeimman valokaaren suojausluokan tekniset tiedot. Standardin GS-ET-29 mukaisen valon läpäisyluokan (VLT-luokka) 2 yhteydessä on määrä käyttää lisävalaisua, jotta visiiriin takana ylletään 30 luksin vähimmäisvalaistutasoon. Tarkasta valaistuso-tila visiiriin takaa ennen käytön aloittamista.

HUOMAUTUS: Erilaisten työskentelyolosuhteiden takia tarkasta lisävalon tarve aina suojainta pitäessäsi. Keinovalo, etenkin loistevalaisimista tai LED-lampuista tuleva valo, yhdistettynä suojaimen värisävyyn saattaa vaikuttaa kykyysi tunnistaa värejä. Riittävän värien tunnistuksen varmistamiseksi suosittelemme, että teet seuraavat toimenpiteet työpisteelläsi senhetkisisä valaistusolosuhteissa:

1. Kokoa yhteen johtokappaleita, joissa on sama värikoodaus kuin omalla työpisteelläsi.
2. Varmista, että valaistus (tyyppi ja voimakkuus) on yhtä turvallinen kuin omalla työpisteelläsi.
3. Puhdista silmiensuojaimesi ja varmista, ettei siinä ole vaurioita (älä epäröi tarvittaessa vaihtaa silmiensuojaintasi).
4. Pue silmiensuojain yllesi käyttäjän ohjeiden mukaan.
5. Lajittele johtokappaleet nopeasti.

Mikäli sinulla on hankaluuksia erotella johtoja värien mukaan tai erottelua tarkastaessasi huomaat tehneesi virheitä, valaistus on liian huono. Tällöin työskentely saattaa aiheuttaa onnettomuuden, esimerkiksi valokaaren.

HUOMAUTUS: Kypäräkiinnitteinen valokaarilta suojaava AFP-25 -kasvojensuojain on suunniteltu suojaamaan silmiä ja kasvoja valokaaren mekaanisilta vaaroilta ja termisiltä vaikutuksilta. Se ei kuitenkaan korvaa käyttäjän silmälasia, muita silmien- tai kasvojensuojaimia, hengityssuojaimia tai muita henkilönsuojaimia, joita tarvitaan riittävän suojan varmistamiseen vaara- ja riskianalyysin perusteella sekä tietyssä työpisteessä vaadittavien työturvallisuusmääräysten täyttämiseen. Varmista, että käytetyt henkilönsuojaimet sopivat käytettäväksi toistensa kanssa.

HUOMAUTUS: Joissakin maissa tai yrityksissä sovellettavien kansallisten turvallisuusmääräysten ja toimintaohjeiden vuoksi visiiriin alla voi olla suositeltavaa tai pakollista pitää suojalaseja.

HUOMAUTUS: Valokaari tai suurienerginen häiriövalokaari saattaa aiheuttaa pysyvän haitan näkökyvylle tai muita vakavia vammoja. Henkilönsuojaimiin on suhtauduttava viimeisenä esteenä, mikäli kaikki muu pettää. Muista, että saat suojavarusteilla ylimääräisen turvapuskurin tilanteessa, jossa todellinen onnettomuus synnyttää paljon suuremman energian kuin mitä alun perin vaara- ja riskiarvioissa oli laskettu. Jännitteellisille osille tehtäviä töitä ei kuitenkaan saa koskaan tehdä olosuhteissa, joissa ei voida käyttää valokaaren suojausluokan 2 tuotteita. Tässä dokumentissa kuvattu kypäräkiinnitteinen valokaarilta suojaava AFP-25 -kasvojensuojain on suojausluokan 2 tuote.

PUHDISTAMINEN

Puhdista ja tarkasta AFP-25 kypärään kiinnitetty kaarinen salamakasvosuoja ennen ja jokaisen käytön jälkeen. Puhdista/desinfioidu huuhtelemalla 1 % miedon pesuaineen liuoksella ja kuivaamalla pehmeällä liinalla. ÄLÄ KÄYTÄ hankaavia puhdistusaineita. Varmista ennen käyttöä, että kaikki osat on koottu oikein.

VARASTOINTI

Säilytä AFP-25 kypärään kiinnitetty kaarinen salamakasvosuoja tuotteen mukana toimitetussa suojakotelossa. (HUOMAA: Muut pakkausmateriaalit voivat sisältää liuottimia, jotka voivat heikentää suojaustasoa.) Säilytä AFP-25 kypärään kiinnitetty kaarinen salamakasvosuoja suojassa auringonvalolta puhtaassa ja kuivassa ympäristössä. Älä säilytä alle -10°C tai yli 45°C lämpötiloissa. Älä altista AFP-25 kypärään kiinnitetty kaarinen salamakasvosuoja kaarihitsaustoiminnolle.

HUOLTO, KORJAUS JA VAIHTO

Varmista, että siipimutterit pysyvät kireällä, jotta kasvosuojus voidaan säilyttää turvallisesti.

AFP-25 kypärään kiinnitetty kaarinen salama kasvosuojus (mukaan lukien pysyvästi kiinnitetty leukasuoja) on vaihdettava, jos:

- Se on naarmuuntunut tai vaurioitunut
- Se on altistunut valokaarelle
- Se on altistunut kemikaaleille, öljyille tai voiteluaineille *
- Se on vaurioitunut mekaanisen iskun takia *
- Se on saavuttanut normaalin käyttöikänsä (ks. Tarkastuskriteerit ja käyttöiän loppumisen määrittäminen)
- Se on altistunut korkealle lämpötilalle tai liialliselle auringonvalolle *
- Se on altistunut tulelle pitkiä aikoja *

* **HUOMIO:** Näiden tapahtumien aiheuttamat vauriot eivät ehkä ole näkyvissä.

TARKASTUS JA KÄYTTÖIKÄ

Tarkasta kasvosuojus säännöllisesti ja vaihda vaurioituneet tai kuluneet osat.

Normaaliolosuhteissa kasvosuojan tulee tarjota riittävä suoja 5 vuoden ajan.

Älä käytä kasvosuojasta uudelleen valokaaren jälkeen. Jos kasvosuojus on altistunut valokaarelle tai se on alltiina edellä kuvatuille vaurioille, se on vaihdettava.

VAAROJEN ARVIOINTI

Sopivan silmä- ja kasvosuojaimen valitsemiseksi valtuutetun henkilöstön, jolla on asianmukainen koulutus ja pätevyys, on suoritettava vaarojen ja riskien arviointi. Silmien ja kasvosuojainta ei saa koskaan käyttää ympäristöissä, joiden riskiluokitus on korkeampi kuin merkinnässä ilmoitettu suojaluokitus.

AFP-25 kypärään kiinnitetty kaarinen salamakasvosuoja on yhdistettävä muihin valokaarelta suojaaviin henkilönsuojaimiin, kuten kypäriin, vaatteisiin, käsineisiin ja muihin vaarojen ja riskien arvioinnissa tarkoituksenmukaisiksi katsottuihin varusteisiin.

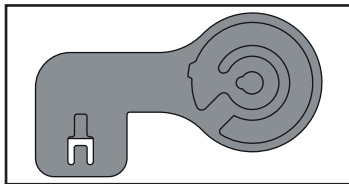
Epäasianmukainen käyttö, esimerkiksi korkeammalla valokaarella, voi aiheuttaa vakavia terveysvaurioita ja vaarantaa käyttäjän hengen.

RISKI	RISKIN LÄHDE	VALINTAAN LIITTYVÄT TURVALLISUUSTEKIJÄT JA KÄYTTÖ PPE
Yleiset toimenpiteet	Kosketuksessa: tuli, räjähdykset	Kasvojen ja pään osittainen suojaus saman suojaluokituksen kovalla lakilla, suojahupulla, paidalla, housuilla, käsineillä ja saappailla
	Käytön aiheuttama kuluminen.	Suojaus naarmuuntumisella
Valokaaren aiheuttamat termiset vaikutukset	Sähkölaitteiden toimintahäiriö, valokaaren lämpö, altistuminen liekille	Valokaaren aiheuttaman lämpöaltistumisen taso, valokaaresta aiheutuvat pienet sulan metallin roiskeet (kupari, rauta tai projisointi)
Näkyvyyden puute	Riittämätön havainnointi	Näkyvyyttä parantavat lisäosat vaateuksessa, paluuehjäistuminen, parannettu valaistus työskentelyalueilla
Suurinopeuksiset iskut	Hiukkaset projisoituvat suurella nopeudella	Valitse oikea kasvosuojain mahdollisesti projisoituvien hiukkasten energian mukaan
Silmien palovammat	UV-säteily	Valitse oikea suodatin käyttökohteen mukaan. Älä katso suoraan valonlähteeseen

PAINON TASAPAINOTUSJÄRJESTELMÄ (WBS)

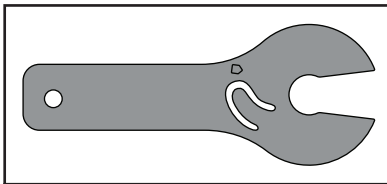
KOMPONENTIT

Järjestelmä koostuu 6 komponentista. 3 osaa muodostaa kummankin puolen (vasen ja oikea).



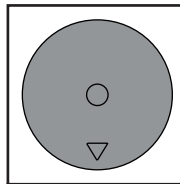
1. POHJA

Suunniteltu sopimaan vain oikeaan tai vasempaan kypärän aukkoon. Pohjan pyörästetty osa on sijoitettu kypärän takaosaan.



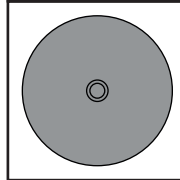
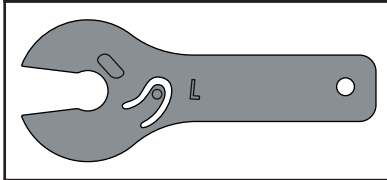
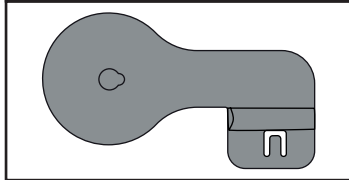
2. KÄSIVARSI

Käsivarret on merkitty R oikealle tai L vasemmalle.



3. PEITE

Peite ulkosivulla on kolmiomerkinä.

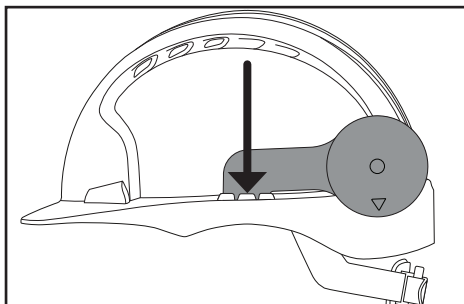


WBS:N ASENNUS

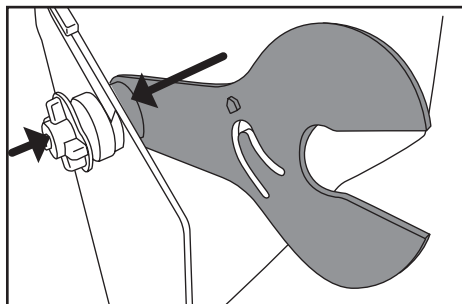
WBS toimitetaan koottuna. Kannessa oleva kolmiomerkinä on sijoitettu suoraan pohja olevan kanavan päälle, jolloin käsivarsi voi liukua akseli.

WBS asennetaan ruuveilla, muttereilla ja kumilevyillä, jotka toimitetaan vakiovisiirikiinnitysjärjestelmän mukana.

- 1) Asenna WBS-varsi ruuviin. (Huomaa "L" tai "R" merkinä käsivarressa.)
- 2) Aseta yksi kumilevy ruuviin.
- 3) Kiinnitä kasvosuojus.
- 4) Lisää toinen kumilevy.
- 5) Lisää mutteri ja kiristä sitä kiertämällä, kunnes kasvosuoja on kiinnitetty varren ollessa pystyasennossa. (Mutteri voidaan löysätä, jos työ voidaan suorittaa kasvosuojan ollessa ylhäällä.)



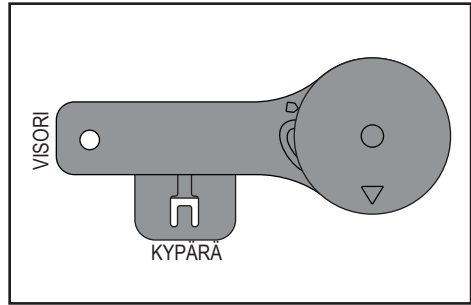
WBS kiinnitetty kypärään - Pohja kannen kanssa



Visiiriin kiinnitetty WBS-varsi – ruuvi / varsi / kumilevy / visiiri / kumialuslevy / mutteri

Kun kasvosuojus ja WBS on asennettu kypärään, siirrä kasvosuojus käyttö-/työasentoon tarkistaaksesi, että kulmasuoja on asetettu EVO®-kypärän kuoren etuosan päälle. Nosta kasvosuojusta, kunnes WBS-pohjan kolmiomerkintä on linjassa WBS-varren merkinnän kanssa. Tämä mahdollistaa varren liukumisen akselille. Kun kasvosuojus on kiinnitetty, kuulet napsahduksen.

WBS on nyt asennettu ja käyttövalmis.



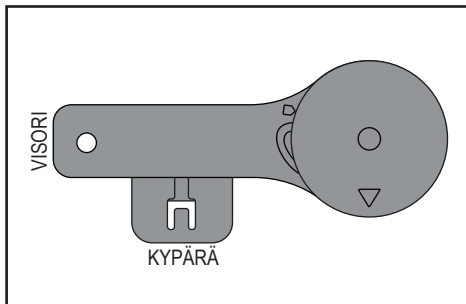
WBS Työasento

WBS:N KÄYTTÄMINEN

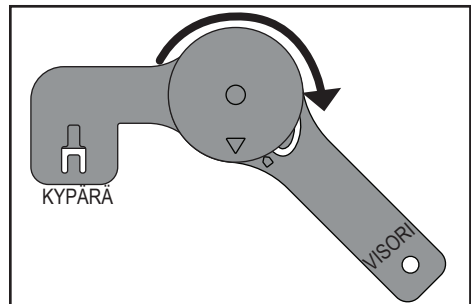
Käyttö-/työasento: Kasvosuojus laskettu käyttäjän kasvojen eteen, kiinnitetty napsahduksella.

Säilytysasento: Kasvosuoja on tasapainossa kypärän kruunun yli. Aseta kasvosuoja pystysuoraan, jotta WBS voi siirtyä säilytysasentoon. Varmista, että WBS-vasi on pystyasennossa, ennen kuin käännät kasvosuojaa. Kiinnitä kypärä napsautusäänellä. (Valinnainen: Kasvosuojasta voidaan painaa kevyesti kypärän kuorta kohti profiilin pienentämiseksi entisestään.)

Harjoittele kasvosuojan ja WBS:n käyttöä ennen kuin menet vaara-alueelle. Järjestelmä on suunniteltu nostettavaksi ja laskettavaksi yhdellä kädellä tarttumaan pingisuojaan.



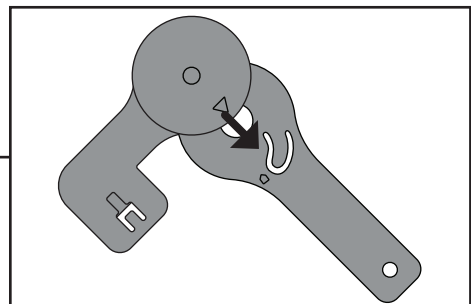
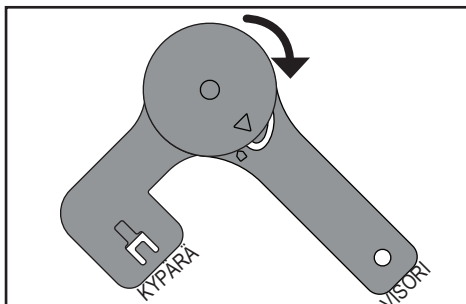
WBS Työasento



WBS Säilytysasento






On suositeltavaa pitää kasvosuojaa ja WBS kiinnitettynä kypärään. WBS:n ja kasvosuojan toistuva kiinnitys ja poistaminen voi vahingoittaa kypärän kiinnitysaukkoja ja estää oikean sovituksen.

Poistaaksesi kasvosuojan, käännä yllä oleva asennusprosessi.



WBS 2:n vapautus asennot (katso peite ja käsivarsi merkkejä)

MERKINNÄT

MERKINNÄT	MERKITYS		
	Valmistajan tavaramerkki	 0161	CE-merkintä ja ilmoitetun laitoksen ID-numero (vaaditaan luokan III tuotteille henkilönsuojainasetuksen 2016/425 liitteen II mukaan)
	Suojaus lämmön vaikutuksilta sähkökaari.		Katso käyttöohjeet. Jos käyttösuosituksia koskevia ohjeita ei noudateta, laitteen antama suoja voi heikentyä merkittävästi.
	Valmistuspäivä: Valmistusvuosi on merkitty keskelle, ja valmistuskuukausi on osoitettu nuolella		
EN 166	Teollisuuskäyttöön tarkoitettujen silmiensuojainten Eurooppalainen standardi	Z87	Teollisuuskäyttöön tarkoitettujen silmiensuojainten Amerikkalainen teollisuuspäänsuojausstandard (ANSI)
2 or 2C-#	Ultra violettsuodatin (C = hyvä värintunnistus) ja luokka # (EN170)		
1	Optista luokkaa merkitsevä numero, 1 on korkea ja 3 on alhainen		
B	Kestää suurinopeuksisten hiukkasten keskienergisien iskun		
8-2-2	Standardin GS-ET-29 mukaisesti: "8" = oikosulkukestävyys sähkökaarelle. "2" = Vikaluokka 2 (423 kJ/m ² ~ 10,1 cal/cm ² , Avoimen laatikon testi). "2" = Näkyvän valon läpäisy luokka 2 (VLT < 50 %)		
K	EN166 pinnan suojaus pienhiukkasilta		

AFP-25 MONTADA EN CASCO PANTALLA FACIAL DE ARCO ELÉCTRICO

EN166:2001 // EN170:2002 // GS-ET 29:2019. CAT III Product.

Encontrará una copia de este manual y de la Declaración de conformidad para el producto en la página de productos:
documents.jspssafety.com

CONTENIDOS

Introducción	67
Advertencias generales	67
Estándares	67
Campo de aplicación	68
Colocación de la visera en el casco	68
Ajuste de la visera	68
Uso	69
Limpieza	70
Almacenamiento	70
Mantenimiento, Reparación y Reemplazo	70
Inspección y vida útil	70
Evaluación de peligros	70
Manual de usuario para el sistema de equilibrio de peso	71
Marcas	73

IMPORTANTE: Este manual debe leerse en su totalidad, el usuario debe estar familiarizado y capacitado en el uso del producto antes de usarlo. Este manual debe conservarse para futuras referencias.

INTRODUCCIÓN

Un arco eléctrico es una corriente de falla generada por un cortocircuito que viaja a través del aire ionizado. Un incidente de arco eléctrico emite plasma, altos niveles de calor convectivo y dosis extremadamente altas de radiación electromagnética (radiación ultravioleta (UV), radiación infrarroja (IR) y luz visible de alta energía). La explosión de calor en expansión genera aire tóxico, ruido extremo y una onda de presión que progresa rápidamente, a menudo acompañada de escombros voladores, como fragmentos y metal fundido.

Un incidente de arco eléctrico puede ser causado por una falla del sistema o un error de manejo en un entorno eléctrico de alta corriente, independientemente de si el trabajo que se realiza es en un sistema de bajo, medio o alto voltaje.

La pantalla facial de arco eléctrico montada en casco AFP-25 es un dispositivo de equipo de protección personal (EPP) diseñado para reducir los efectos dañinos de un incidente de arco eléctrico (arco eléctrico) en los ojos y la cara cuando se selecciona y usa correctamente como parte de un arco eléctrico. conjunto de protección que también incluya ropa y guantes de protección contra arco eléctrico adecuados.

ADVERTENCIAS GENERALES

- La pantalla de protección contra arco eléctrico AFP-25 acoplable al casco debe estar en la posición “abajo” para ofrecer protección.
- No exponer en exceso a la luz solar.
- No utilizar para soldar
- No exponer al fuego durante largos períodos de tiempo.
- La superficie puede calentarse cuando se expone a radiación electromagnética.
- Reemplace cuando esté expuesto a químicos, aceites o lubricantes
- Reemplace si está dañado por impacto mecánico
- Úsela solo como un kit con el protector de barbilla conectado
- Utilice solo piezas de repuesto originales
- Asegúrese de que su lugar de trabajo esté suficientemente iluminado
- El material que puede entrar en contacto con la piel del usuario podría causar reacciones alérgicas a personas susceptibles si este es el caso, abandone el área de peligro, quítese el casco y la pantalla y busque el consejo de un médico.
- La pantalla contra el arco eléctrico acoplable al casco AFP-25 protege contra las partículas de alta velocidad. Cuando se utiliza con gafas graduadas estándar se pueden transmitir impactos, creando así un peligro para el usuario.
- Para que una pantalla cumpla con el símbolo de campo de uso 8 (resistencia al arco eléctrico de cortocircuito eléctrico), debe estar equipada con un filtro de protección ultravioleta con un grado de al menos, 2-1.2 y tener espesor mínimo de 1,4 mm.
- Para que una gafa de protección cumpla con el símbolo de campo de uso 9 (no adherencia al metal fundido y resistencia a la penetración de sólidos candentes) tanto el marco como el ocular deben marcarse con los símbolos junto con uno de los símbolos F, B o A.
- Si el símbolo F, B y A no son comunes tanto a las lentes como a la montura, entonces será el más bajo el que se asignará al Protector ocular completo.
- La pantalla contra el arco eléctrico acoplable al casco AFP-25 debe usarse como parte de un conjunto de protección contra arco eléctrico que también incluye ropa y guantes de protección contra arco eléctrico adecuados
- El incumplimiento de estas instrucciones puede provocar un deterioro permanente de la vista u otras lesiones personales graves.

ESTÁNDARES

La pantalla contra arco eléctrico AFP-25 está certificada según EN 166: 2001, GS-ET-29: 2011/05 y cumple con el Anexo II del Reglamento (UE) 2016/425. De conformidad con la legislación UK SI 2018 No. 390.

Está diseñada para cumplir con ANSI Z87.1. Además, la pantalla AFP-25 se ensaya con un ATPV (Arc Thermal Performance Value (ATPV) (valor de rendimiento térmico del arco eléctrico) de 25 cal / cm² según ASTM F2178: 2008 (PPE Nivel 2 según NFPA 70E: 2015).

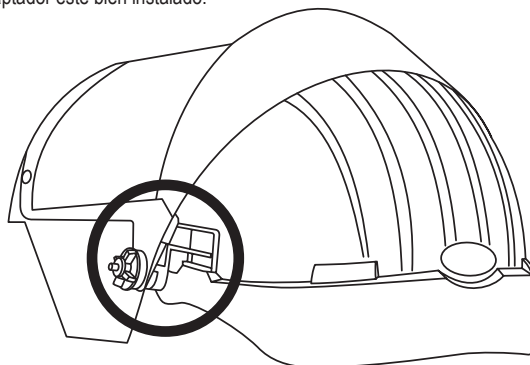
CAMPO DE APLICACIÓN

- La pantalla facial contra arco eléctrico montada en el casco AFP-25, junto con el PPE adicional apropiado para el nivel de protección determinado anteriormente, protege al usuario calificado durante el trabajo bajo tensión o cuando se encuentra cerca de piezas bajo tensión.
- El protector facial contra arco eléctrico montado en el casco AFP-25 proporciona protección para los ojos y la cara sólo si se usa según lo previsto.
- No utilice la pantalla facial contra arco eléctrico montada en casco AFP-25 para soldadura por arco eléctrico. Además, la pantalla facial no debe usarse ni almacenarse en áreas donde se realizan trabajos de soldadura por arco.
- Una persona cualificada debe realizar una adecuada evaluación de riesgos antes de realizar el trabajo.

COLOCACIÓN DE LA VISERA EN EL CASCO

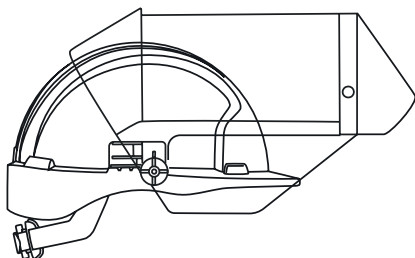
La pantalla facial contra arco eléctrico montada en casco AFP-25 solo debe montarse en un casco de seguridad industrial sin ventilación JSP EVO®5 que esté aprobado para protección eléctrica al nivel máximo esperado. En caso de duda, comuníquese con la Línea de Ayuda Técnica de JSP.

Para colocar la visera, inserte los adaptadores en las ranuras de fijación universales del casco. Escuche un sonido de clic para asegurarse de que el adaptador esté bien instalado.



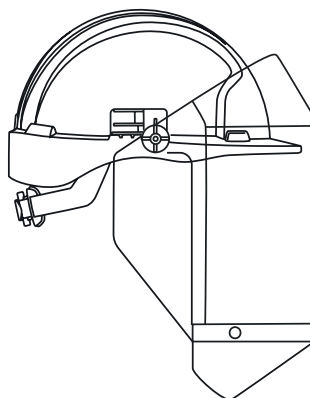
AJUSTE DE LA VISERA

Coloque y ajuste el casco, luego agarre la mentonera para bajar el escudo a la posición desplegada/de trabajo.



Posición 1:

Pantalla facial contra arco eléctrico montada en casco AFP-25 en posición levantada.



Posición 2:

Pantalla facial contra arco eléctrico montada en casco AFP-25 en posición desplegada/trabajando.

Siempre revise los componentes de la pantalla AFP-25 antes de usar. Ajuste manualmente el mecanismo de montaje del protector (adaptadores) para asegurarse de que las perillas estén firmemente en su lugar, no las apriete demasiado o el protector no podrá funcionar correctamente.

- Inspeccione los adaptadores en busca de grietas o daños, asegúrese de que los adaptadores estén bien colocados las ranuras del gama EVO®.
- Verifique las ranuras para accesorios del gama EVO® e inspeccione si hay grietas que puedan permitir que el adaptador se salga.
- Asegúrese de que las tuercas y tornillos que sujetan el protector de barbilla estén bien apretados antes de usar.
- Siempre sostenga la pantalla por el protector de barbilla, nunca sostenga la pantalla ni opere sosteniéndola por las partes laterales.

A pesar del hecho de que la pantalla AFP-25 se puede fijar en dos posiciones, mientras se trabaja en partes vivas o en la vecindad de partes vivas (trabajo en vivo), la protección prevista solo se puede proporcionar cuando la pantalla se coloca de forma segura y en la posición "abajo".

La mejor protección se logra con un casco de seguridad industrial gama EVO®, cual permite una posición muy cercana de la pantalla a la cara. Sin embargo, asegúrese de que su nariz u otras partes de su cabeza y cara estén alejadas de la superficie interna de la pantalla. Para una protección de 360 °, agregue una capucha o balacava. La temperatura de funcionamiento debe estar entre -10 ° C y 45 ° C.

La pantalla contra arco eléctrico AFP-25 es un producto de Clase 2 en cuanto a la protección y la transmitancia de luz visible (VLT) según GS-ET-29. Supera con creces la especificación de la clase más alta de protección contra arco eléctrico según GS-ET-29. Para una transmisión de luz de VLT clase 2 según GS-ET-29, se requiere una iluminación adicional para lograr un nivel mínimo de iluminación de 30 lux detrás de la pantalla. Verifique el nivel de iluminación detrás de la pantalla antes de comenzar a usarla.

NOTA: Debido a las diversas condiciones del lugar de trabajo, verifique la necesidad de iluminación adicional cuando use la pantalla. La iluminación artificial, especialmente la iluminación proveniente de lámparas fluorescentes o LED junto con el teñido del escudo puede afectar sus capacidades de reconocimiento de color. Para asegurarse de que puede reconocer suficientemente los colores, le recomendamos que realice el siguiente procedimiento en su lugar de trabajo bajo las condiciones de iluminación local:

1. Recoja piezas de cables con la misma codificación que la utilizada en su lugar de trabajo;
2. Asegúrese de estar en un área segura con iluminación (tipo e intensidad) como en su lugar de trabajo;
3. Limpie su protector e inspecciónelo por daños (no dude en reemplazar el protector ocular, si es necesario);
4. Póngase el protector de según las instrucciones del usuario;
5. Clasifique rápidamente las piezas del cable.

En caso de que encuentre algunos problemas de diferenciación de codificación o una comprobación del resultado de la clasificación muestra fallas en la clasificación, la iluminación es muy mala. En este caso, el trabajo puede causar un accidente, como un arco eléctrico.

NOTA: La pantalla contra arco eléctrico AFP-25 está diseñada para proteger los ojos y la cara contra los riesgos mecánicos y térmicos de un arco eléctrico. Sin embargo, no sustituye a las gafas graduadas, otros EPIs para ojos y cara, máscaras u otros EPIs necesarios para una protección suficiente según el análisis de riesgos y las normas particulares de seguridad laboral en un lugar de trabajo en particular. Asegúrese de que los EPIs usados sean compatible entre sí.

NOTA: Debido a las normas y políticas nacionales de seguridad en algunos países o empresas, se recomienda el uso de gafas de seguridad debajo de la pantalla o incluso su uso puede ser obligatorio.

NOTA: Un arco eléctrico / incidente de falla de arco eléctrico de alta energía puede causar un deterioro permanente de la vista u otras lesiones personales graves. Un EPI debe considerarse como la última barrera si todo lo demás falla. Considere equipos de protección de más alta clase para obtener amortiguadores de seguridad adicionales en caso de que un accidente real genere más energía que la calculada originalmente en la evaluación de riesgo. Sin embargo, no debe haber trabajo en vivo en condiciones que no puedan ser protegidas por los productos conformes a la clase 2. La pantalla AFP-25 descrita en este documento es un producto de clase 2.

LIMPIEZA

Limpie e inspeccione la pantalla facial contra arco eléctrico montada en el casco AFP-25 antes y después de cada uso. Para limpiar/desinfectar, enjuague con una solución al 1% de detergente suave y seque con un paño suave. No utilice limpiadores abrasivos. Asegúrese de que todos los componentes se vuelvan a ensamblar correctamente antes de su uso.

ALMACENAMIENTO

Guarde la pantalla facial contra arco eléctrico montada en el casco AFP-25 en la caja protectora provista con el producto. (NOTA: Otros materiales de embalaje pueden contener solventes que pueden disminuir el nivel de protección). Guarde la pantalla facial contra arco eléctrico montada en casco AFP-25 fuera de la luz solar en un ambiente limpio y seco. No almacenar a temperaturas inferiores a -10°C ni superiores a 45°C. No exponga la pantalla facial contra arco eléctrico montada en el casco AFP-25 a ninguna operación de soldadura por arco.

MANTENIMIENTO, REPARACIÓN Y REEMPLAZO

Asegúrese de que las tuercas de mariposa permanezcan apretadas para permitir que el protector facial se guarde de forma segura.

La pantalla facial contra arco eléctrico montada en el casco AFP-25 (incluido el protector de barbilla permanentemente acoplado) debe reemplazarse si:

- está rayada o dañada
- ha sido expuesta a un arco eléctrico
- ha estado expuesta a productos químicos, aceites o lubricantes *
- está dañada por impacto mecánico *
- ha alcanzado su vida útil normal (consulte la sección Criterios de inspección y determinación del final de la vida útil)
- ha sido expuesta a altas temperaturas o demasiado expuesto a la luz solar *
- ha estado expuesta al fuego durante largos períodos de tiempo *

***ATENCIÓN:** Los daños causados por estos incidentes pueden no ser visibles.

INSPECCIÓN Y VIDA ÚTIL

Inspeccione el protector facial con regularidad y reemplace cualquier componente dañado o desgastado.

En circunstancias normales, la pantalla facial debería ofrecer una protección adecuada durante 5 años.

No reutilice el protector facial después de un incidente de arco eléctrico. Si el protector facial ha estado expuesto a un incidente de arco eléctrico o ha sufrido cualquier daño descrito anteriormente, debe reemplazarse.

EVALUACIÓN DE PELIGROS

Para seleccionar la protección adecuada para los ojos y la cara, personal autorizado con la formación y las cualificaciones pertinentes debe realizar una evaluación de peligros y riesgos. El protector ocular y facial nunca debe utilizarse en ambientes con un grado de riesgo superior al grado de protección indicado en el marcado.

La pantalla facial contra arco eléctrico montada en el casco AFP-25 debe combinarse con otros EPI de protección contra arco eléctrico, como cascos, prendas, guantes y cualquier otro equipo que se considere apropiado en la evaluación de peligros y riesgos.

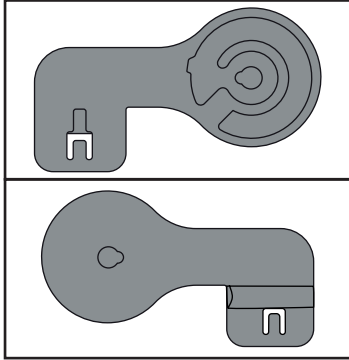
Un uso inadecuado, por ejemplo con altas exposiciones al arco, puede causar graves daños a la salud y poner en peligro la vida del usuario.

RIESGO	FUENTE DE RIESGO	FACTORES DE SEGURIDAD RELACIONADOS CON LA ELECCIÓN Y USO DE EPI
Acciones generales	Por contacto: Fuego, Explosiones,	Protección de la cara y partes de la cabeza con gorras antigolpe, balaclavas, camisas, pantalones, guantes y botas de igual clasificación
	Desgaste debido al uso.	Resistencia a arañazos
Peligros térmicos producidos por arco eléctrico.	Mal funcionamiento del equipo eléctrico, calor de un arco eléctrico, llama expuesta	Nivel de exposición al calor de un arco eléctrico, pequeña salpicadura de metal fundido (cobre, hierro o proyectado) de un arco eléctrico
Falta de visibilidad	Percepción insuficiente	Accesorios de alta visibilidad en la ropa, retroreflexión, mayor iluminación en las áreas de trabajo.
Impactos a alta velocidad	Partículas proyectadas a alta velocidad	Seleccione el protector facial correcto de acuerdo con la energía de las posibles partículas proyectadas
Quemaduras en los ojos	Radiación UV	Seleccione el filtro correcto para el uso relacionado. No mire directamente a la fuente luminosa.

SISTEMA DE EQUILIBRIO DE PESO (WBS)

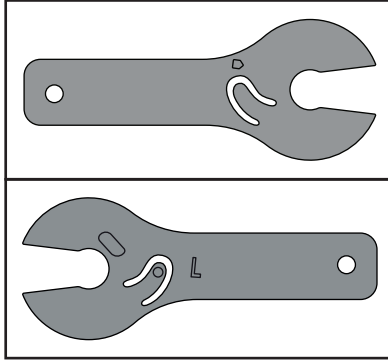
COMPONENTES

El sistema se compone de 6 componentes. 3 partes forman cada lado (izquierdo y derecho).



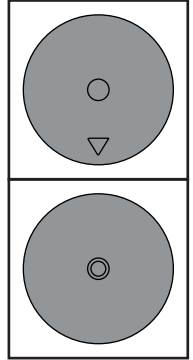
1. BASE

Diseñado para adaptarse únicamente a la ranura derecha o izquierda del casco. La parte redondeada de la base se sitúa en la parte trasera del casco.



2. BRAZO

Los brazos están marcados con R para derecha o L para izquierda.



3. CUBRIR

La cubrir tiene una marca triangular en el lado exterior.

MONTAJE DE LA WBS

La WBS se suministra montada. La marca triangular en la cubierta se coloca directamente sobre el canal en la base, lo que permite que el brazo se deslice hacia el eje.

La WBS se monta utilizando tornillos, tuercas y arandelas de goma proporcionadas con el sistema de montaje de visera estándar.

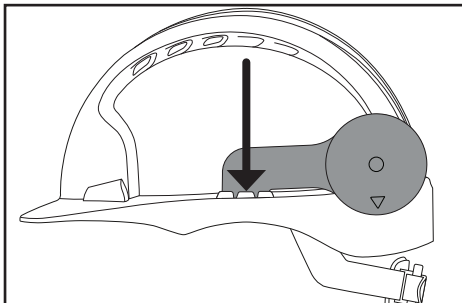
1) Monte el brazo WBS en el tornillo. (Observe la marca 'L' o 'R' en el brazo).

2) Coloque una arandela de goma en el tornillo.

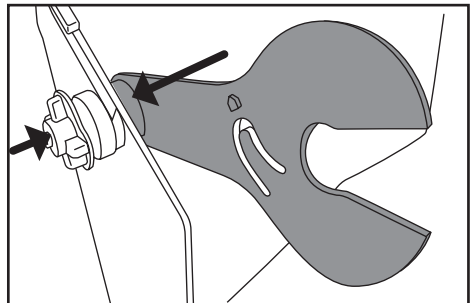
3) Coloque el protector facial.

4) Agregue la segunda arandela de goma.

5) Agregue la tuerca y gírela para apretar hasta que el protector facial quede asegurado con el brazo en posición vertical. (La tuerca se puede aflojar si se puede trabajar con el protector facial en la posición elevada).



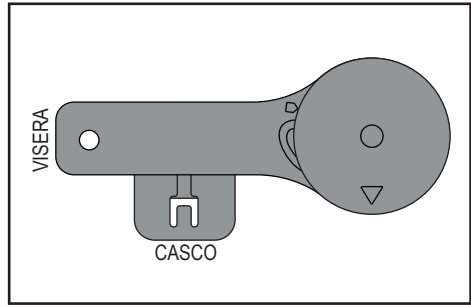
WBS montado en el casco - Base con cubrir



WBS Brazo montado en la visera - Tornillo / Brazo / Arandela de goma / Visera / Arandela de goma / Tuerca

Con el protector facial y el WBS montados en el casco, mueva el protector facial a la posición desplegada/de trabajo para verificar que el protector de frente esté colocado sobre la parte delantera del armazón del casco EVO®. Levante el protector facial hasta que la marca del triángulo en la base del WBS se alinee con la marca en el brazo del WBS. Esto permite que el brazo se deslice hacia el eje. Cuando el protector facial esté asegurado, escuchará un clic.

La WBS ahora está montada y lista para usar.



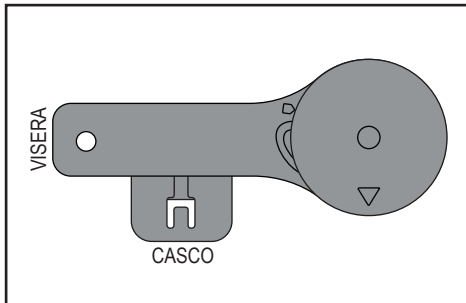
Posición de trabajo WBS

USING THE WBS

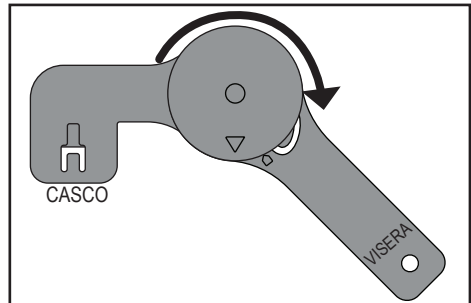
Posición desplegada/de trabajo: Pantalla facial bajada frente a la cara del usuario, asegurada en su lugar con un clic.

Posición guardada: el protector facial está equilibrado sobre la corona del casco. Coloque el protector facial en posición vertical para permitir que la WBS se mueva a la posición de almacenamiento. Asegúrese de que el brazo WBS esté en posición vertical antes de girar el protector facial. Asegure el casco con un sonido de clic. (**Opcional:** el protector facial se puede presionar suavemente hacia la carcasa del casco para reducir aún más el perfil).

Practique cómo operar la pantalla facial y la WBS antes de ingresar al área de peligro. El sistema está diseñado para subir y bajar usando una mano para agarrar la mentonera.



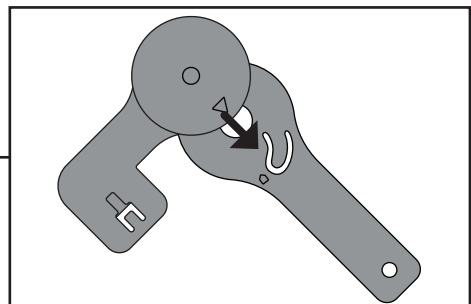
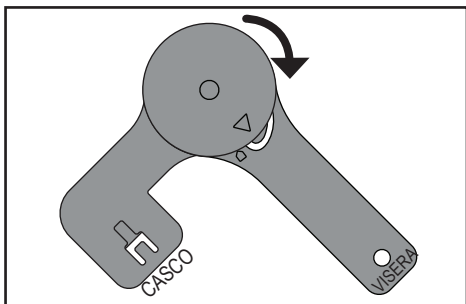
Posición de trabajo WBS



Posición guardada de WBS






Se recomienda mantener la pantalla facial y la WBS adheridas al casco. El montaje y desmontaje repetidos del WBS y del protector facial pueden dañar las ranuras de fijación del casco e impedir un ajuste adecuado.

Para quitar el protector facial, invierta el proceso de montaje anterior.



WBS 2 posiciones de liberación (observe las marcas en la cubrir y el brazo)

MARCAS

MARCAS	SIGNIFICADO		
	Marca comercial del fabricante		Marca CE con número de identificación del organismo notificado (requerido para productos Cat. III de acuerdo con el Anexo II del REGLAMENTO DE EPI 2016/425)
	Protección térmica contra el arco eléctrico.		Consulte las instrucciones de uso. Si no se siguen las instrucciones y recomendaciones, la protección ofrecida por el dispositivo puede verse seriamente afectada.
	Ruedas con fecha de fabricación: año de fabricación indicado en el centro, mes indicado por una flecha		
EN 166	Norma Europea para la protección industrial de ojos	Z87	Norma estadounidense (ANSI) para la protección industrial de ojos
2 or 2C-#	Filtro ultravioleta (C = buen reconocimiento del color) y n.º de clasificación (EN170)		
1	Número que hace referencia a la clase óptica, 1 es alta y 3 es baja		
B	Resiste impactos de fuerza media de partículas a gran velocidad		
8-2-2	De acuerdo con GS-ET-29: "8" = Resistencia al arco eléctrico de cortocircuito. "2" = Clase de falla 2 (423 kJ/m ² ~ 10,1 cal/cm ² , Prueba de Caja Abierta). "2" = Transmisión de luz visible clase 2 (VLT < 50%)		
K	EN166 Resistencia al deterioro superficial por partículas finas		

AFP-25 MONTATA SU ELMETTO VISIERA AD ARCO ELETTRICO

EN166:2001 // EN170:2002 // GS-ET 29:2019. CAT III Product.

Una copia del presente manuale e la Dichiarazione di Conformità del prodotto sono a disposizione nella pagina prodotto:
documents.jspsafety.com

CONTENUTI

Introduzione	75
Avvertenze generali	75
Norme	75
Campo di applicazione	76
Montaggio della Visiera al Casco	76
Regolazione della visiera	76
Utilizzo	77
Pulizia	78
Conservazione	78
Manutenzione, riparazione e sostituzione	78
Ispezione e durata d'uso	78
Valutazione dei rischi	78
Manuale utente per il sistema di bilanciamento del peso	79
Marcature	81

IMPORTANTE: Questo manuale dev'essere letto completamente e l'utilizzatore dev'essere a conoscenza di come utilizzare correttamente il prodotto, il manuale dev'essere conservato per riferimenti futuri.

INTRODUZIONE

Un arco elettrico è una corrente di guasto generata da un cortocircuito che viaggia attraverso l'aria ionizzata. Un arco elettrico incidente emette plasma, alti livelli di calore convettivo e dosi estremamente elevate di radiazioni elettromagnetiche (radiazioni ultraviolette (UV), radiazioni infrarosse (IR) e luce visibile ad alta energia). L'esplosione del calore in espansione genera aria tossica, rumore estremo e un'onda di pressione in rapida progressione, spesso accompagnata da detriti volanti come frammenti e metallo fuso.

Un arco elettrico può essere causato da un guasto del sistema o da un errore di gestione in un ambiente elettrico ad alta corrente, indipendentemente dal fatto che il lavoro svolto sia su un sistema a bassa, media o alta tensione.

La visiera per arco elettrico montata su casco AFP-25 è un dispositivo di protezione individuale (DPI) progettato per ridurre gli effetti dannosi di un arco elettrico incidente (arco elettrico guasto) sugli occhi e sul viso se selezionato e utilizzato correttamente come parte di un arco elettrico completo protettivo che comprenda anche indumenti e guanti protettivi idonei contro l'arco elettrico.

AVVERTENZE GENERALI

- The AFP-25 Visiera ad arco elettrico montata su elmetto dev'essere in posizione abbassata per poter offrire protezione.
- La visiera non deve essere esposta a lungo al sole
- Da non utilizzare per saldatura
- Da non esporre a fiamme dirette
- La superficie si potrebbe riscaldare se esposta a radiazioni elettromagnetiche
- Da sostituire se esposta a solventi, olii o lubrificanti
- Da sostituire se danneggiata da impatto meccanico
- Da utilizzare solamente con la parte protettiva per il mento installata
- Utilizzare solamente component originali
- Verificare che vi sia illuminazione sufficiente quando in utilizzo
- I materiali, se in contatto con la pelle potrebbero causare irritazioni o reazioni allergiche, in questo caso lasciare l'area di pericolo e consultare il medico.
- L'AFP-25 Visiera ad arco elettrico montata su elmetto protegge da rischio meccanico di particelle ad alta velocità. Quando utilizzato sopra occhiali da vista questi potrebbero trasmettere l'energia dell'impatto
- La visiera, per poter avere la marcatura del campo di utilizzo "8" deve avere EN170 almeno con filtro, 2-1.2 ed avere uno spessore minimo di 1.4mm
- Affinché un dispositivo di protezione sia conforme al simbolo del campo di utilizzo "9", sia la montatura che la lente devono essere contrassegnati con i simboli F, B o A. Se il simbolo F, B e A non sono uguali sulla montatura e sulla lente, allora è quello inferiore che deve essere assegnato all'intero DPI.
- L'AFP-25 Visiera ad arco elettrico montata su elmetto deve essere utilizzato come parte di un insieme integrato di protezione contro l'arco elettrico che include anche indumenti e guanti protettivi adeguati
- La mancata osservanza di queste istruzioni può provocare danni permanenti alla vista o altre gravi lesioni personali.

NORME

L'AFP-25 Visiera ad arco elettrico montata su elmetto è certificata secondo EN 166:2001, GS-ET-29:2011/05 e soddisfa l'Annex II del Regolamento Europeo (EU) 2016/425. Conformità alla legislazione UK SI 2018 No. 390.

È progettato per soddisfare ANSI Z87.1. Inoltre, l'AFP-25 Visiera ad arco elettrico montata su elmetto è testato per ATPV di 25 cal/cm² secondo ASTM F2178:2008 (DPI di livello 2 secondo NFPA 70E:2015).

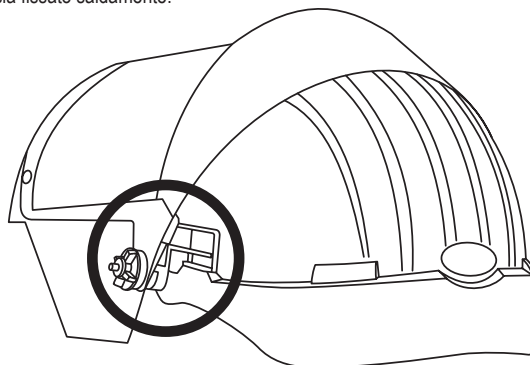
CAMPO DI APPLICAZIONE

- La AFP-25 Visiera ad arco elettrico montata su elmetto, unitamente ai DPI aggiuntivi adeguati al livello di protezione sopra determinato, protegge l'utente qualificato durante il lavoro sotto tensione o quando si trova in prossimità di parti sotto tensione.
- La AFP-25 Visiera ad arco elettrico montata su elmetto fornisce protezione agli occhi e al viso solo se utilizzata come previsto.
- Non utilizzare la AFP-25 Visiera ad arco elettrico montata su elmetto per la saldatura ad arco elettrico. Inoltre, la visiera non deve essere utilizzata o conservata in aree in cui vengono eseguiti lavori di saldatura ad arco.
- Una corretta valutazione dei rischi deve essere effettuata da una persona qualificata prima dell'esecuzione del lavoro.

MONTAGGIO DELLA VISIERA AL CASCO

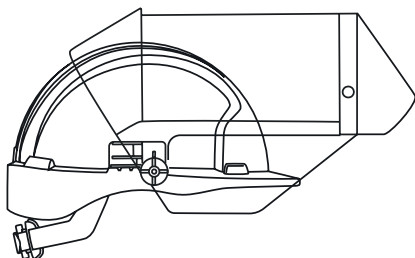
La AFP-25 Visiera ad arco elettrico montata su elmetto deve essere montata esclusivamente su un elmetto di sicurezza industriale non ventilato JSP EVO®5 approvato per la protezione elettrica al livello massimo previsto. In caso di dubbi, contattare la linea di assistenza tecnica JSP.

Per montare la visiera, inserire gli adattatori nelle asole di attacco universale presenti sul casco. Ascoltare il suono di un clic per verificare che l'adattatore sia fissato saldamente.



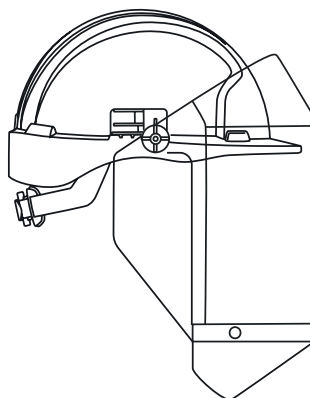
REGOLAZIONE DELLA VISIERA

Indossare e regolare il casco, quindi afferrare la mentoniera per abbassare la visiera nella posizione aperta/di lavoro.



Posizione 1:

AFP-25 Visiera ad arco elettrico montata su elmetto in posizione rialzata.



Posizione 2:

AFP-25 Visiera ad arco elettrico montata su elmetto in posizione schierata/lavorativa.

Prima dell'uso, controllare sempre i component dell' AFP-25 Visiera ad arco elettrico montata su elmetto. Regolare manualmente il meccanismo di montaggio dello schermo (adattatori) per garantire che le manopole siano saldamente in posizione, non serrare eccessivamente o lo schermo non sarà in grado di funzionare correttamente.

- Controllare che gli adattatori non presentino incrinature o danni, assicurarsi che siano bloccati nelle fessure dell'elmetto
- Controllare le fessure dell'elmetto gamma EVO® e verificare la presenza di crepe che potrebbero far uscire l'adattatore.
- Accertarsi che le component che fissano la mentoniera inferiore (doppia corona) siano fissati prima dell'uso.
- Afferrare la visiera dalla mentoniera, non afferrare o mai lo schermo utilizzando le prolunghie laterali dello schermo.

Nonostante il fatto che l' AFP-25 Visiera ad arco elettrico montata su elmetto possa essere fissato in due posizioni, mentre si lavora su parti in tensione o in prossimità di parti in tensione, la protezione prevista può essere fornita solo quando lo schermo è fissato saldamente e nella posizione inferiore.

La migliore protezione si ottiene con un casco di sicurezza industriale gamma EVO®, che consente un fit perfetto della visiera sul viso. Tuttavia, assicurarsi che il naso o altre parti della testa e del viso non siano tenuti in contatto con la superficie interna. Per una protezione a 360 ° aggiungere un cappuccio o un passamontagna. La temperatura di esercizio deve essere compresa tra -10 ° C e 45 ° C.

L' AFP-25 Visiera ad arco elettrico montata su elmetto fornisce protezione da arco elettrico di Classe 2 e VLT Class 2 secondo la GS-ET-29. Supera di gran lunga le specifiche della più alta classe di protezione secondo GS-ET-29. Per una trasmissione luminosa di VLT classe 2 secondo GS-ET-29 si suppone che sia necessaria un'illuminazione maggiore per raggiungere un livello di illuminazione minimo di 30 lux dietro la visiera. Si prega di verificare il livello di illuminazione dietro la visiera prima di iniziare a usarlo.

NOTA: A causa delle diverse condizioni del luogo di lavoro, verificare la necessità di illuminazione aggiuntiva quando si indossa la visiera. L'illuminazione proveniente da lampade fluorescenti o LED insieme alla colorazione dello schermo, può influire sulle capacità di riconoscimento del colore. Per essere sicuri di poter riconoscere sufficientemente i colori, si consiglia di eseguire la seguente procedura sul posto di lavoro nelle condizioni di illuminazione locali:

1. Raccogliere pezzi di cavi con la stessa codifica dei cavi utilizzata sul posto di lavoro;
2. Assicurarsi di trovarsi in un'area sicura con un'illuminazione (tipo e intensità) come sul posto di lavoro;
3. Pulisci la visiera e ispezionala per eventuali danni (non esitare a sostituire la visiera, se necessario);
4. Indossare la visiera secondo le istruzioni dell'utente;
5. Ordinare rapidamente i pezzi di cavo.

Nel caso in cui si riscontrino problemi di differenziazione del codice o un controllo del risultato dell'ordinamento mostra errori di smistamento, l'illuminazione non è probabilmente sufficiente, in questo caso il lavoro potrebbe causare un incidente, come un arco elettrico.

NOTA: L' AFP-25 Visiera ad arco elettrico montata su elmetto è progettato per proteggere gli occhi e il viso dai rischi meccanici e termici di un arco elettrico. Tuttavia, non sostituisce occhiali da vista, altri DPI per occhi e viso, maschere respiratorie o altri DPI richiesti per una protezione sufficiente secondo l'analisi dei pericoli e dei rischi e le normative sulla sicurezza sul lavoro in un particolare luogo di lavoro. Accertarsi che i DPI utilizzati siano compatibili tra loro.

NOTA: A causa delle norme e politiche di sicurezza nazionali in alcuni paesi o aziende, l'uso di occhiali di sicurezza sotto la visiera può essere obbligatorio.

NOTA: Un lampo dell'arco / un arco di guasto elettrico ad alta energia può causare danni permanenti alla vista o altre gravi lesioni personali. I DPI dovrebbero essere considerati come l'ultima barriera se tutto il resto fallisce. Considerare l'equipaggiamento di protezione più elevato per ottenere sicurezza extra nel caso in cui un incidente reale generi più energia di quanto originariamente calcolato nel pericolo e valutazione del rischio. Tuttavia, non dovrebbe esserci manodopera in condizioni che non possono essere protette dai prodotti di Classe 2. La AFP-25 Visiera ad arco elettrico montata su elmetto descritta in questo documento è un prodotto di Classe 2.

PULIZIA

Pulire e ispezionare la AFP-25 Visiera ad arco elettrico montata su elmetto prima e dopo ogni utilizzo. Per pulire/disinfettare, sciacquare con una soluzione all'1% di detergente delicato e asciugare con un panno morbido. **NON UTILIZZARE** detergenti abrasivi. Assicurarsi che tutti i componenti siano riassemblati correttamente prima dell'uso.

CONSERVAZIONE

Conservare la AFP-25 Visiera ad arco elettrico montata su elmetto nella scatola protettiva fornita con il prodotto. (**NOTA:** altri materiali di imballaggio possono contenere solventi che possono ridurre il livello di protezione.) Conservare la AFP-25 Visiera ad arco elettrico montata su elmetto al riparo dalla luce solare, in un ambiente pulito e asciutto. Non conservare a temperature inferiori a -10°C o superiori a 45°C. Non esporre la AFP-25 Visiera ad arco elettrico montata su elmetto a operazioni di saldatura ad arco.

MANUTENZIONE, RIPARAZIONE E SOSTITUZIONE

Assicurarsi che i dadi ad alette rimangano serrati per consentire di riporre saldamente la visiera.

La AFP-25 Visiera ad arco elettrico montata su elmetto (inclusa la protezione per il mento fissata in modo permanente) deve essere sostituita se:

- è graffiata o danneggiata
- è stata esposta ad un arco elettrico
- è stata esposta a sostanze chimiche, olii o lubrificanti *
- è danneggiata da urti meccanici *
- ha raggiunto la sua normale durata di vita (vedere la sezione "Ispezione e Determinazione della Durata d'Utilizzo")
- è stata esposta a calore elevato o eccessivamente esposta alla luce solare *
- è stata esposta a fuoco diretto per lunghi periodi di tempo *

* **ATTENZIONE:** i danni causati da questi incidenti potrebbero non essere visibili.

ISPEZIONE E DURATA D'USO

Ispezionare regolarmente la visiera e sostituire eventuali componenti danneggiati o usurati.

In circostanze normali la visiera dovrebbe offrire una protezione adeguata per 5 anni.

Non riutilizzare la visiera dopo un incidente con arco elettrico. Se la visiera è stata esposta a un arco elettrico o è stata soggetta a qualsiasi danno sopra indicato, deve essere sostituita.

VALUTAZIONE DEI RISCHI

Per selezionare la protezione adeguata per gli occhi e il viso, è necessario che il personale autorizzato con la formazione e le qualifiche pertinenti effettui una valutazione dei pericoli e dei rischi. La protezione per occhi e viso non deve mai essere utilizzata in ambienti con un grado di rischio superiore al grado di protezione indicato sulla marcatura.

La AFP-25 Visiera ad arco elettrico montata su elmetto deve essere combinata con ulteriori DPI protettivi contro l'arco elettrico come elmetti, indumenti, guanti e qualsiasi altra attrezzatura ritenuta appropriata nella valutazione dei pericoli e dei rischi.

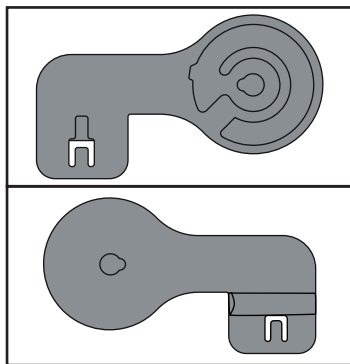
Un utilizzo inappropriato, ad esempio con esposizioni all'arco elevate, può causare gravi danni alla salute e mettere in pericolo la vita dell'utente.

RISCHIO	FONTE DI RISCHIO	FATTORI DI SICUREZZA LEGATI ALLA SCELTA E ALL'USO DEI DPI
Azioni generali	Per contatto: Incendio, esplosioni	Protezione del viso e delle parti della testa con elmetti, passamontagna, giacchie, pantaloni, guanti e stivali ugualmente classificati
	Usura dovuta all'utilizzo.	Resistenza ai graffi
Termico da arco elettrico	Malfunzionamento dell'apparecchiatura, calore da arco elettrico, fiamma esposta	Livello di esposizione al calore da arco, particelle di metallo fuso (rame, ferro o proiettato) da esplosione da arco elettrico.
Scarsa visibilità	Visibilità insufficiente	Accessori ad alta visibilità su indumenti, catarifrangenti, maggiore illuminazione nelle aree di lavoro
Impatti alta velocità	Particelle proiettate ad alta velocità	Selezionare la visiera corretta in base all'energia delle possibili particelle proiettate
Sovraesposizione occhi	Radiazioni UV	Selezionare il filtro corretto per l'uso correlato. Non guardare direttamente la fonte luminosa

SISTEMA DI BILANCIAMENTO DEL PESO (WBS)

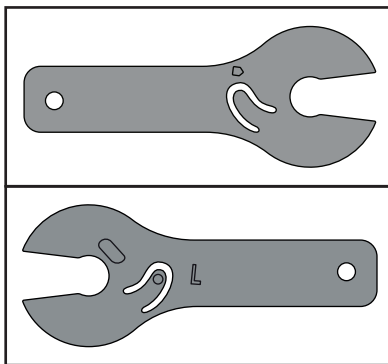
COMPONENTI

Il sistema è composto da 6 componenti. 3 parti compongono ciascun lato (sinistro e destro).



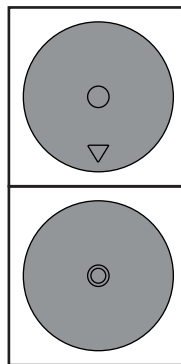
1. BASE

Progettato per adattarsi solo alla fessura del casco destra o sinistra. La parte arrotondata della base è posizionata nella parte posteriore del casco.



2. BRACCIO

Le braccia sono contrassegnate con R per destra o L per sinistra.



3. COPERTURA

La copertura ha una marcatura triangolare sul lato esterno.

MONTAGGIO DEL WBS

La WBS viene fornita assemblata. Il contrassegno triangolare sul copertura è posizionato direttamente sopra il canale nella base, consentendo al braccio di scorrere sull'asse.

Il WBS viene montato utilizzando le viti, i dadi e le rondelle in gomma fornite con il sistema di montaggio della visiera standard.

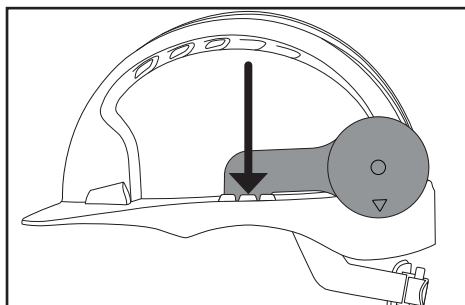
1) Montare il braccio WBS sulla vite. (Nota la marcatura "L" o "R" sul braccio.)

2) Mettere una rondella di gomma sulla vite.

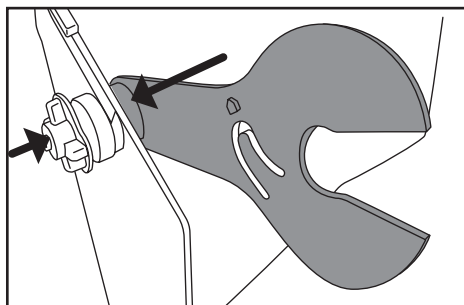
3) Applicare la visiera.

4) Aggiungere la seconda rondella di gomma.

5) Aggiungere il dado e ruotare per serrare finché la visiera non è fissata con il braccio in posizione verticale. (Il dado può essere allentato se è possibile eseguire il lavoro con la visiera in posizione sollevata.)



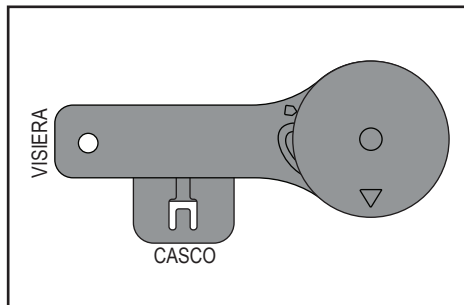
WBS montato sul casco - Base con copertura



Braccio WBS montato sulla visiera - vite / braccio / rondella in gomma / visiera / rondella in gomma / dado

Con la visiera e il WBS montati sul casco, spostare la visiera nella posizione aperta/di lavoro per verificare che la protezione sopraccigliare sia posizionata sulla parte anteriore della calotta del casco EVO®. Sollevare la visiera finché il contrassegno triangolare sulla base WBS non si allinea con il contrassegno sul braccio WBS. Ciò consente al braccio di scivolare sull'asse. Quando la visiera è fissata si sentirà un clic.

La WBS è ora montata e pronta per l'uso.



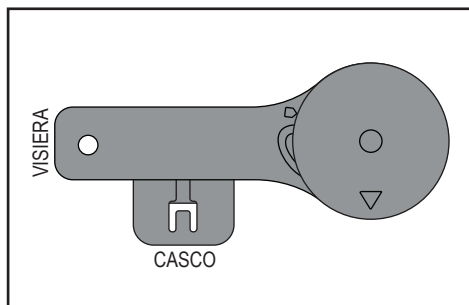
WBS Posizione di lavoro

UTILIZZANDO LA WBS

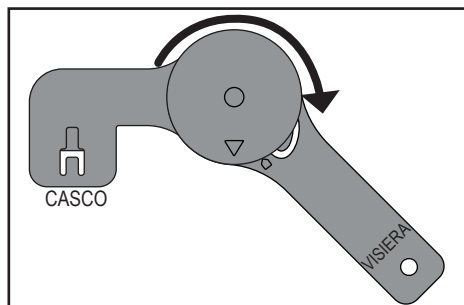
Posizione operativa/di lavoro: visiera abbassata davanti al viso di chi la indossa, fissata in posizione con un clic.

Posizione retratta: la visiera è bilanciata sulla corona del casco. Posizionare la visiera in posizione verticale per consentire al WBS di spostarsi nella posizione retratta. Assicurarsi che il braccio WBS sia posizionato in posizione verticale prima di girare la visiera. Fissare il casco con il suono del clic. (**Opzionale:** la visiera può essere premuta delicatamente verso la calotta del casco per ridurre ulteriormente il profilo.)

Esercitarsi nell'uso della visiera e del WBS prima di entrare nell'area di pericolo. Il sistema è progettato per essere sollevato e abbassato utilizzando una mano per afferrare la mentoniera.



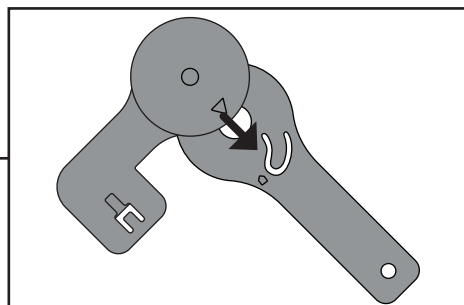
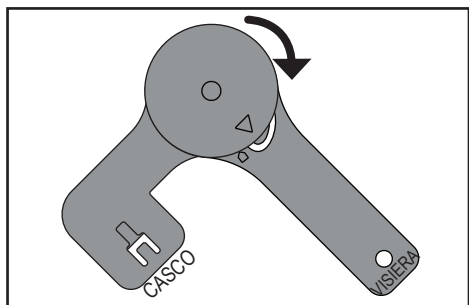
WBS Posizione di lavoro



WBS Posizione retratta






Si consiglia di mantenere la visiera e il WBS attaccati al casco. Il montaggio e la rimozione ripetuti del WBS e della visiera possono danneggiare le fessure di attacco del casco e impedirne il corretto montaggio.

Per rimuovere la visiera, invertire la procedura di montaggio sopra descritta.



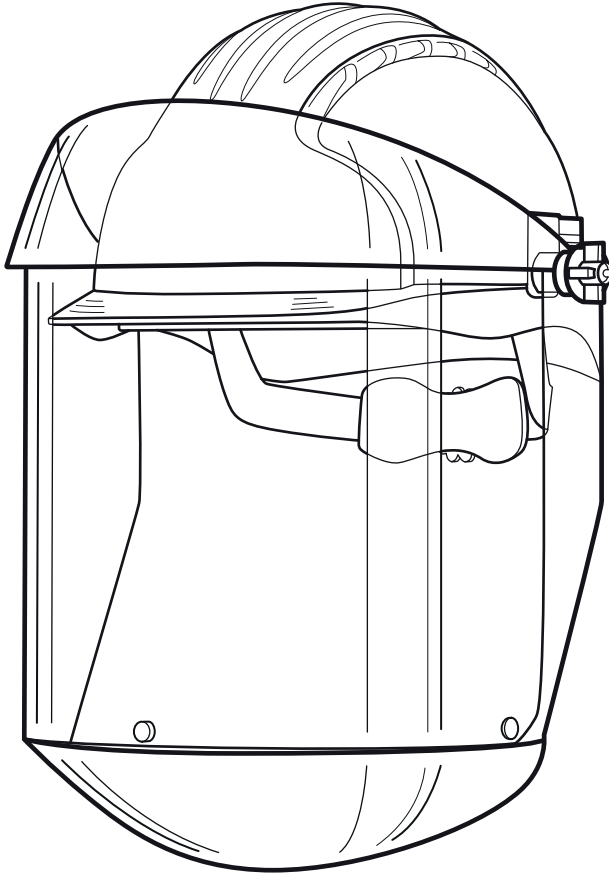
Posizioni di rilascio WBS 2 (attenzione ai segni su copertura e braccio)

MARCATURE

MARCATURE	SIGNIFICATO		
	Marchio del produttore		Marchio CE con numero ID dell'ente notificato (obbligatorio per i prodotti di Cat. III secondo l'Allegato II del REGOLAMENTO DPI 2016/425)
	Protezione contro l'effetto termico dell'arco elettrico.		V. istruzioni per l'uso. Se le raccomandazioni contenute nelle istruzioni per l'uso non vengono seguite, la protezione offerta dal dispositivo potrebbe risultarne gravemente compromessa.
	Data di produzione: anno riportato al centro, mese indicato dalla freccia		
EN 166	Standard Europeo per la protezione degli occhi nell'industria	Z87	Lo standard Americano (ANSI) per la protezione oculare nell'industria
2 or 2C-#	Filtri per raggi ultravioletti (C = buon riconoscimento dei colori) e categoria # (EN170)		
1	Numero che indica la classe ottica, dove 1 rappresenta la classe più elevata e 3 la più bassa		
B	Resiste al medio impatto energetico determinato dalle particelle ad alta velocità		
8-2-2	Secondo GS-ET-29: "8" = Resistenza all'arco elettrico di cortocircuito. "2" = Classe di guasto 2 (423 kJ/m ² ~ 10,1 cal/cm ² , test a scatola aperta). "2" = Classe di trasmissione della luce visibile 2 (VLT < 50%)		
K	Resistenza EN166 al danneggiamento superficiale provocato da particelle fini		



AFP-25 HELMET MOUNTED ARC FLASH FACESHIELD



©2020-23 JSPLtd. | RFKZ-003-100_23-12 | JSP Safety GmbH
JSPLtd. OX29 0TA, UK | Wiesenstraße 57, 40549 Düsseldorf, DE



www.jspsafety.com | technical@jspsafety.com | +44 1993 826051

Certified by: Aitex (NB0161),
Plaza Emilio Sala 1, 03801 Alcoy,
Alicante, Spain